

 国家高新技术企业
ISO9001:2015质量体系认证
我们始于 **2006** 年



衡力光电

东莞市衡正光学科技有限公司

DONGGUAN HENGZHENG OPTOELECTRONICS CO.,LTD.

衡正光学·匠心缔造每一束光线

Hengzheng optoelectronics
—Create every light

LED光学透镜

LENS CATLOG



企业简介 Company Profile

- 2006年成立于东莞虎门，注册规模为3000万元的高新技术公司，现拥有标准化厂房15000平方米。多年来专注于LED透镜事业，致力于二次光学透镜的研发、设计、生产和销售；公司拥有专业的、具有多年设计经验的光学设计师和模具技师；凝聚并培养了一批优秀的光学元器件注塑成型工艺人才，建立了专业、高效、团结的销售团队！拥有多台高精密进口模具加工设备、高精度的模具检测设备；购置了全系统的远方光学光电检测设备；拥有行业内最具专业、展示齐全的展厅；拥有多数量进口成型机台；拥有多个无尘成型车间及组装车间！
- 本公司产品涉及LED照明的各个领域，如景观照明、路灯照明、工业照明、舞台灯光、TV背光。红外监测辅助照明、车灯等其它领域；产品种类包括：LED PAR灯透镜、路灯透镜、COB透镜直下式透镜、红外透镜、车灯透镜以及其它光学镜片。
- LED照明技术飞速发展更新的过程中，衡正光学全体同仁坚持“诚信务实、创新致远”的经营理念，在拥有专业的光学设计和制造技术的背景为前提下，使我们能够自主开发出符合各种光源、角度、光型及混光功能的透镜，如精准投射光形、蝠翼光形、特效混彩光效、广角度背投高均匀度配光光效等，以满足客户在LED照明领域中的不同需求！在企业发展健全进程中，衡正光学通过了ISO:9001质量管理体系认证，申请了多项国家专利技术，如路灯透镜、直下式TV透镜专利等；以多年建立的市场营销品牌，注册了“衡力光电”商标，更促进我们发展进步！
- 为客户提供全面的产品、提供系统的照明方案，提供完善的售后服务是我们的责任，为提供更好的光效，更高的效率衡正光学一直在努力.....





东莞市衡正光学科技有限公司

DONGGUAN HENGZHENG OPTOELECTRONICS CO., LTD.

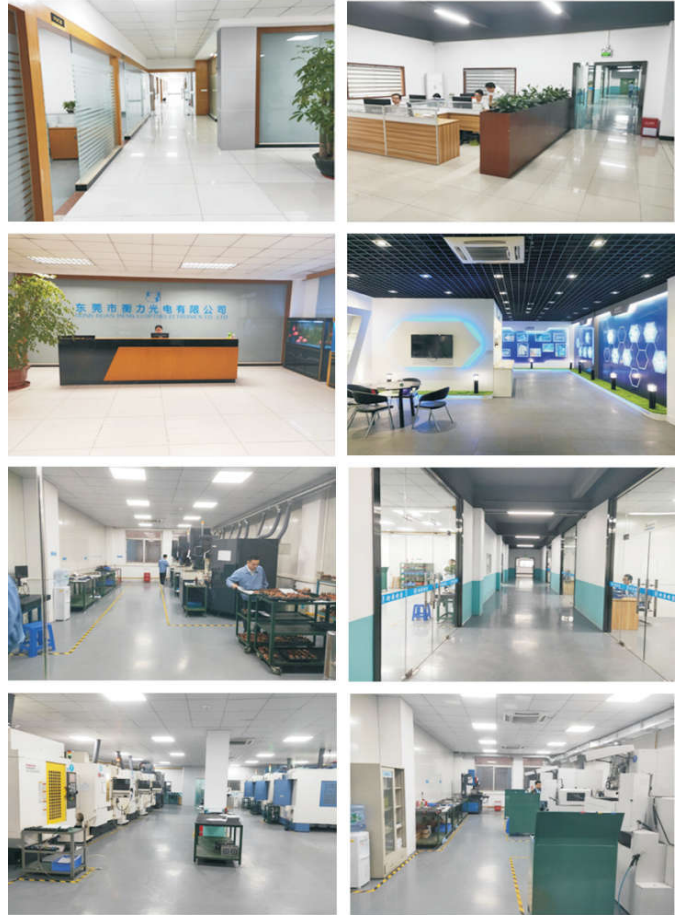
Dongguan Hengzheng optoelectric Co., Ltd , founded in 2006 with 30 million registered capital and with 15000m² standardized workshop, as the successor of Hengli Optoelectronics, founded in 2006, is a Hi-Tech company in design and manufacturing lenses for secondary optics. Not only do we have the professional and experienced team in optical design, mould exploitation and injection process, but we set up a high efficient and united marketing team. Presently years, the high-precise mould processing equipments have been imported from abroad, the full set equipment of optical measurement purchased from Everfine, and 2 workshops with 60 injection machines have been set up, all of them have been the solid basis of Hengzheng.

Our products can be widely applied in LED lighting Fields, such as indoor lighting, outdoor lighting, commercial lighting, stage lighting, TV backlight, and car lighting etc... Our products include LED PAR lens, streetlight lens, COB lens, Direct-light-type lens, infrared lens, vehicle lighting lens, linear light lens, Flood light lens, wall washer lens, etc...

With the rapid development of LED lighting technology, We always adhere to the business philosophy of "Be trusted and Never Stop Innovation", Recently years, on the background of owning the professional optical design and the manufacturing technology, that enable us develop various lens to meet different requirements for led chips and light patterns, such as accurate projection of light pattern, the bat-form light pattern, special effect with mixed light, etc... During the years of development and endeavor, we have verified ISO:9001 and applied many national patents, for instance for streetlight lens and Direct-light-type TV lens and so on, meanwhile we also gain the widely reputation from home and abroad marketing, and registered our brand "hengli" and we believe all of that will promote our development and progress.

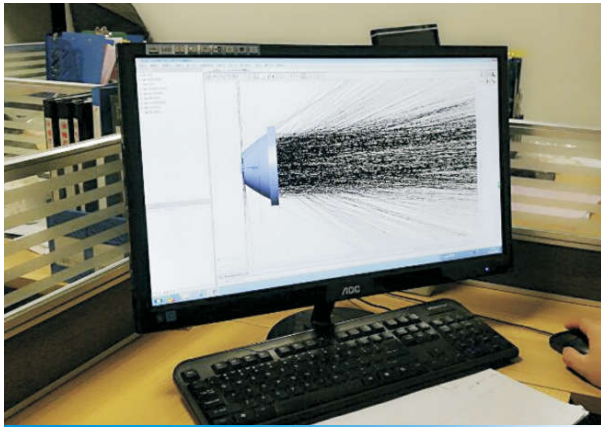
Providing the full range of optical products and the system lighting solution and the perfect after-sales service will always be our responsibility, To provide more efficiency and perfect lighting , we, Hengzheng, never stop our feet...

办公 & 车间环境



精准的控光技术

Accurate Light Control Technique



光学设计
Optic design



模具设计
Mold design



远方卧式分布式光度计
EVERFINE Horizontal distributed photometer



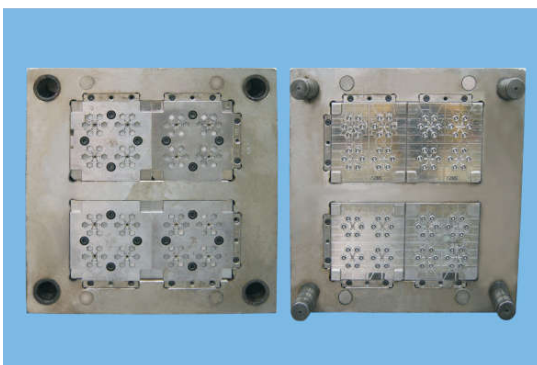
测试仪
Test instrument



高精度检测设备
High precision testing equipment



精湛的制造工艺 Advanced Technique



18年专注·凝聚专业力量

FOCUS FOR EIGHTEEN YEARS, MAKE PROFESSIONAL SENSE OF COHESION

L/E/N/S



目录 Content

	道路、工业照明类透镜 P07-20 Street and industry lighting lens
---	--

	教育照明透镜 School education lighting lens P21-22
---	--

	安防、交通显示类透镜 P23-24 Security and traffic display lighting lens
---	---

	车载光学透镜 Car lighting lens P25-26
---	---------------------------------------

	移动照明类透镜 Mobile lighting lens P27-28
---	---

	商照灯具透镜 Business lighting lens P29-33
---	--

	舞台照明透镜 Stage lighting lens P34-37
---	---

	体育照明透镜 Sport lighting lens P38
---	--------------------------------------

景观照明透镜 Landscape lighting lens

	1 单色洗墙透镜 Single color wall wash lens P40-45
---	---

	2 混光洗墙透镜 Mixed color RGBW wall wash lens P46-48
---	---

	3 线条灯透镜 Linear lens P49-52
---	----------------------------------

	4 MINI透镜 MINI lens P53
---	------------------------------

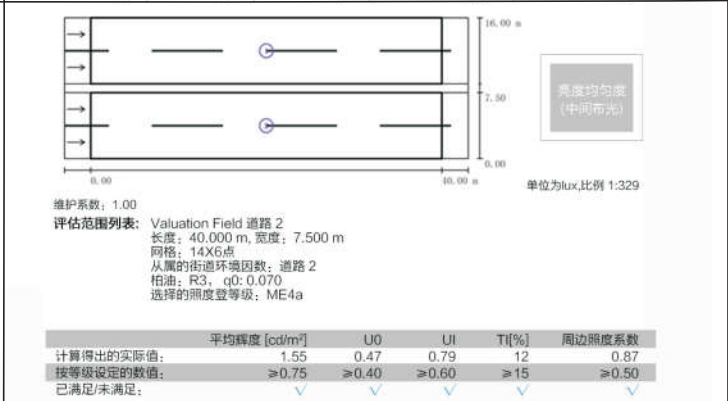
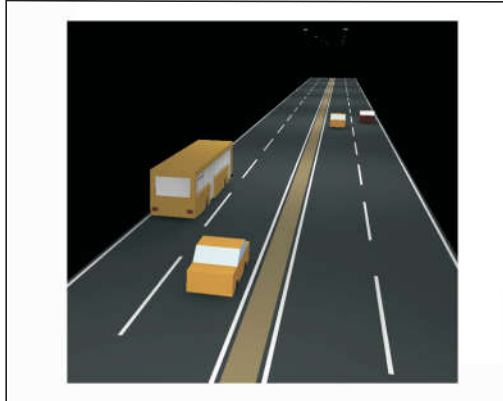
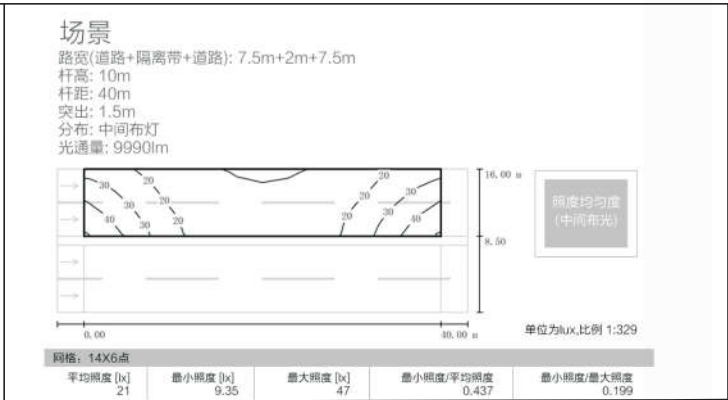
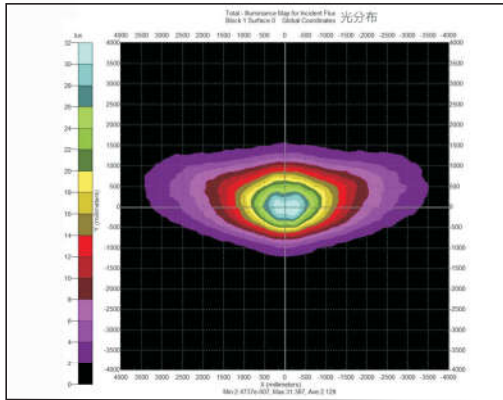
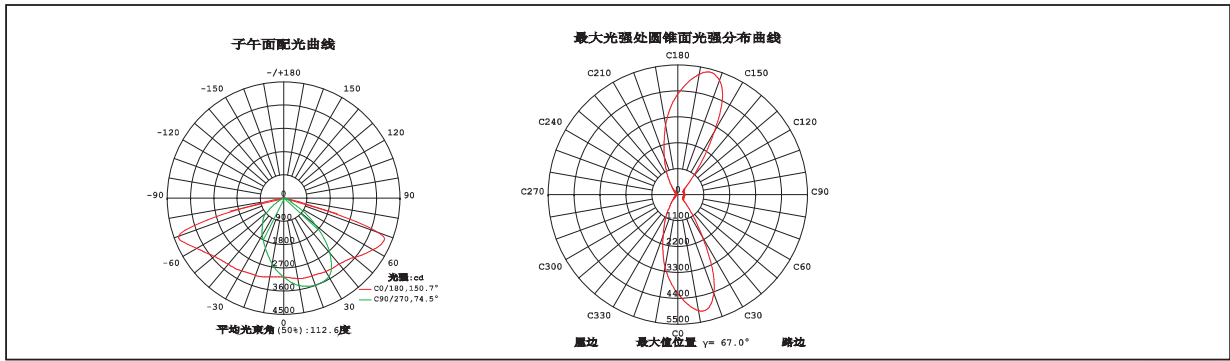
	5 投光灯透镜 Flood light lens P54-57
---	---------------------------------------

	6 窗台灯、护栏灯透镜 Windowsill /Guardrail lens P58
---	--


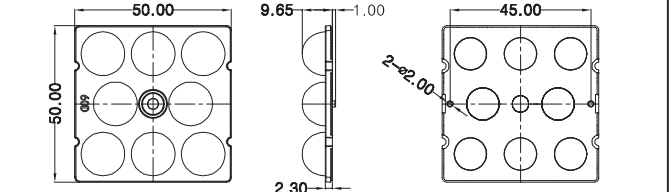

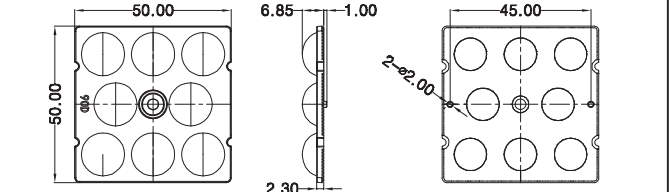

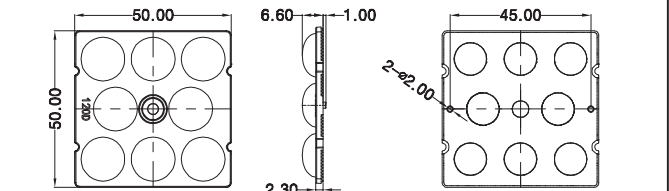

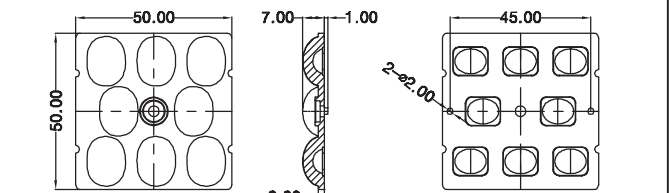

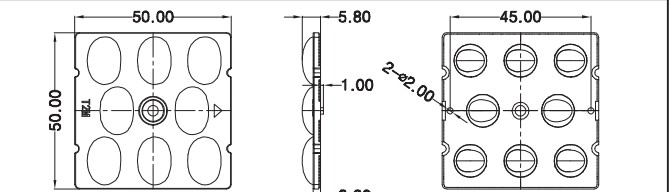

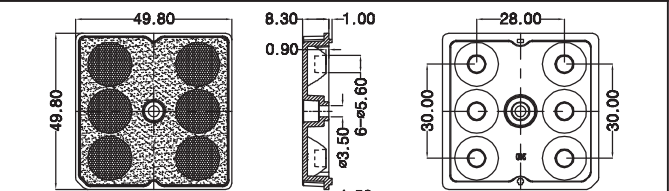

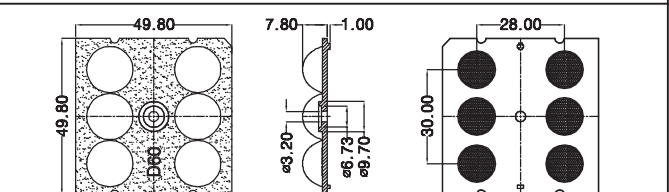

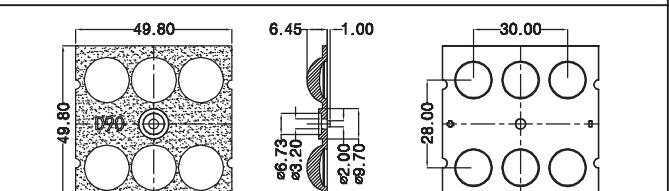
道路、工业照明类透镜 (Street and industry lighting lens)

■ 随着LED产业的蓬勃发展，LED路灯的光效有着更清晰的定义，对不同路况及各种照明场景（如加油站、停车场、仓库等）的配光有着更为严格的标准。衡力光电应市场的需求，创造性地研制出兼顾“照度均匀性”和“亮度均匀性”的配光方式近十余种透镜，不但能满足北美路灯的照明标准，而且还很好地解决了国内各种场景的照明需求。

■ The luminous efficiency of LED streetlight is being clearly defined along with flourishing development of the LED industry. The light distribution for different road condition and lighting environment (such as gas station, parking lot and warehouse etc.) have more strictly criterion. HengLi have creatively developed almost 10 kinds of Lenses by balancing the uniformity of illumination intensity and luminance to meet the demand of market. They not only met the lighting criteria of North American but satisfied the illumination requirement for variety scenes in domestic.




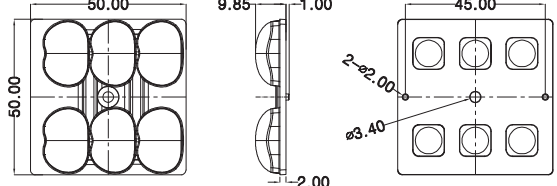

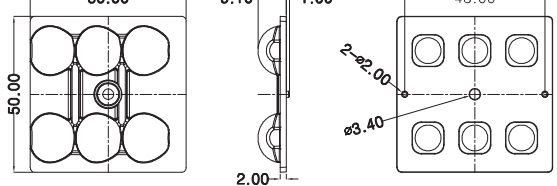

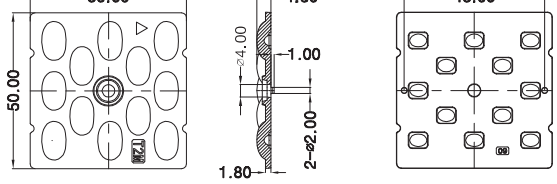

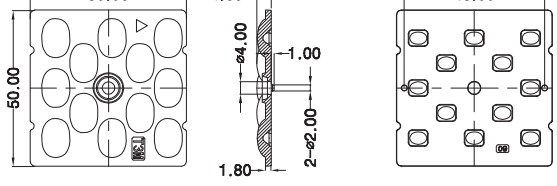

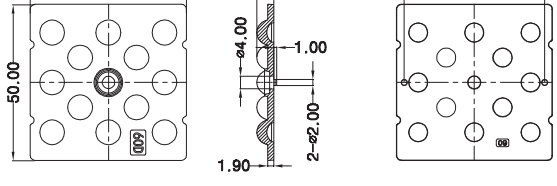

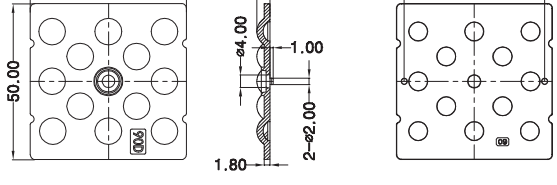

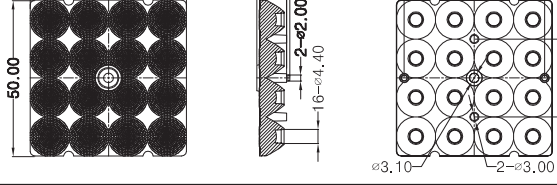
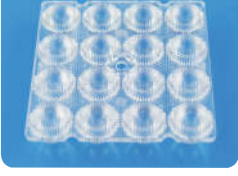
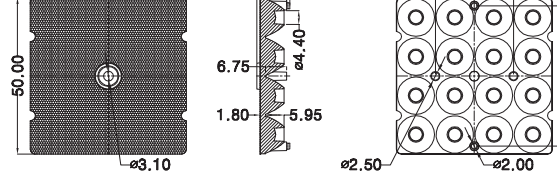
道路、工业照明类透镜 (Street and industry lighting lens)

	<p>Item No.: HL-LD5050-60D Angle: 60° Dim.: L50*W50*H9.65mm LED Type: 4颗2835/5050 Material: PC</p>	
	<p>Item No.: HL-LD5050-90D Angle: 90° Dim.: L50*W50*H6.85mm LED Type: 4颗2835/5050 Material: PC</p>	
	<p>Item No.: HL-LD5050-120D Angle: 120° Dim.: L50*W50*H6.6mm LED Type: 4颗2835/5050 Material: PC</p>	
	<p>Item No.: HL-LD5050-80140D Angle: 85*140° Dim.: L50*W50*H7mm LED Type: 4颗2835/5050 Material: PC</p>	
	<p>Item No.: HL-LD5050-T2M-2 Angle: T2M Dim.: L50*W50*H5.8mm LED Type: 5050 Material: PC</p>	
	<p>Item No.: HL-LD2X3-30D Angle: 30° Dim.: L49.8*W49.8*H8.3mm LED Type: 5050 Material: PC</p>	
	<p>Item No.: HL-LD2X3-60D Angle: 60° Dim.: L49.8*W49.8*H7.8mm LED Type: 5050 Material: PC</p>	
	<p>Item No.: HL-LD2X3-90D Angle: 90° Dim.: L49.8*W49.8*H6.45mm LED Type: 5050 Material: PC</p>	

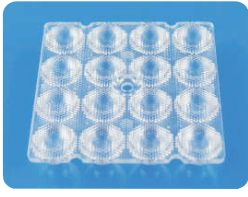
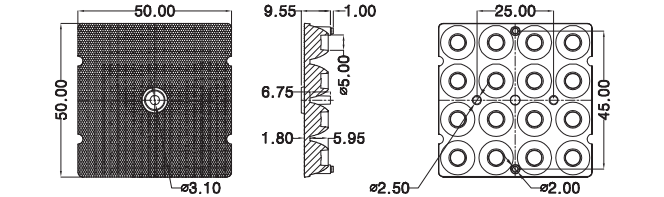

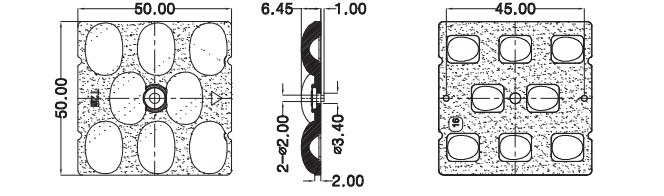

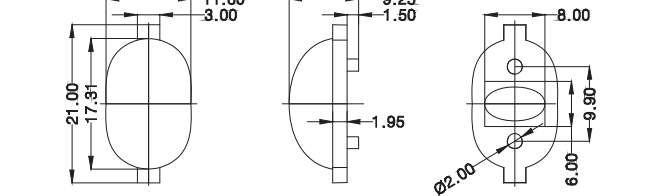

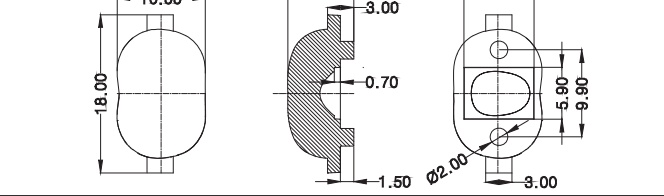

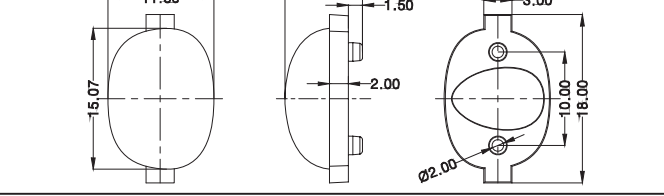

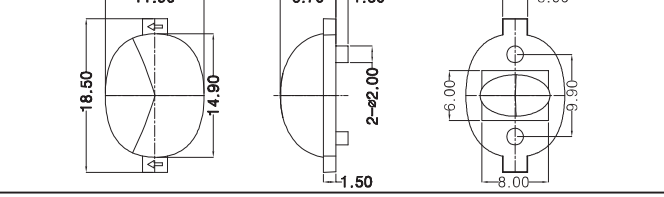

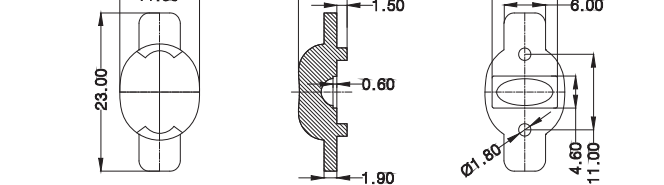
Street and industry lighting lens

道路、工业照明类透镜 (Street and industry lighting lens)

Street and industry lighting lens

	<p>Item No.: HL-LD2X3-45140D Angle: 45*140° Dim.: L50*W50*H9.85mm LED Type: 4颗2835/5050 Material: PC</p>	
	<p>Item No.: HL-LD2X3-55110D Angle: 55*110° Dim.: L50*W50*H9.1mm LED Type: 4颗2835/5050 Material: PC</p>	
	<p>Item No.: HL-LD1X12-T2M Angle: TYPE 2类 Dim.: L50*W50*H4.5mm LED Type: 3030 Material: PC</p>	
	<p>Item No.: HL-LD1X12-T3M Angle: TYPE 3类 Dim.: L50*W50*H4.6mm LED Type: 3030 Material: PC</p>	
	<p>Item No.: HL-LD1X12-60D Angle: 60° Dim.: L50*W50*H5.4mm LED Type: 3030 Material: PC</p>	
	<p>Item No.: HL-LD1X12-90D Angle: 90° Dim.: L50*W50*H4.2mm LED Type: 3030 Material: PC</p>	
	<p>Item No.: HL-16H1-20D Angle: 20° Dim.: L50*W50*H9.55mm LED Type: 3030/3535 Material: PC</p>	
	<p>Item No.: HL-16H1-30D-3030 Angle: 30° Dim.: L50*W50*H9.55mm LED Type: 3030/3535 Material: PC</p>	

道路、工业照明类透镜 (Street and industry lighting lens)

	<p>Item No.: HL-16H1-60D-3030 Angle: 60° Dim.: L50*W50*H9.55mm LED Type: 3030/3535 Material: PC</p>	
	<p>Item No.: HL-LD5050-T2M Angle: 85*155° Dim.: L50*W50*H6.45mm LED Type: 5050 Material: PC</p>	
	<p>XP-E Item No.: HL-LD80 Angle: 50*150° Dim.: L21*W11.6*H9.25mm Material: PMMA</p>	
	<p>XP-E Item No.: HL-LD40 Angle: 50*135° Dim.: L18*W10*H7.5mm Material: PMMA</p>	
	<p>XP-E Item No.: HL-LD50-85135 Angle: 40*135° Dim.: L18*W11.5*H8.28mm Material: PMMA</p>	
	<p>XP-E Item No.: HL-LD90 Angle: 60*145° Dim.: L18.5*W11.9*H6.7mm Material: PC</p>	
	<p>XP-E Item No.: HL-LD70 Angle: 90*135° Dim.: L23*W11.6*H7.1mm Material: PMMA</p>	

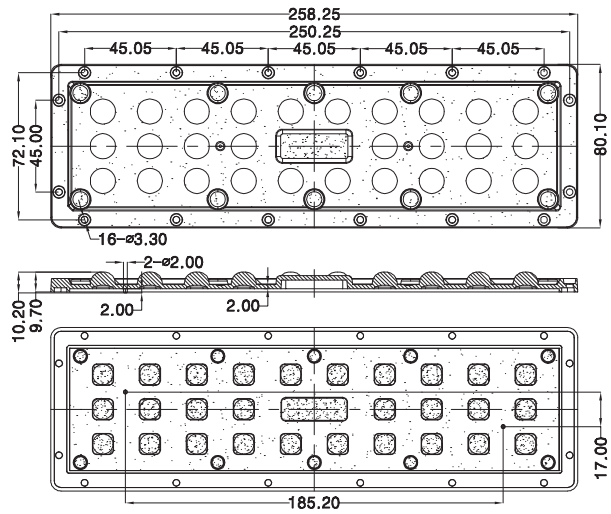
Street and industry lighting lens

道路、工业照明类透镜 (Street and industry lighting lens)

LED: 4颗2835/5050 应用场景: 投光、工业照明。
Application scene: Projection, industrial lighting.



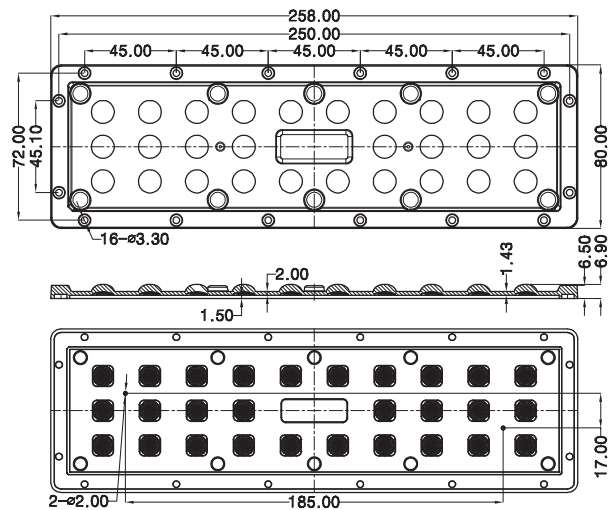
Item No.: HL-LD28-60D
Angle: 60°
Dim.: L258.25*W80.1*H10.2mm
Material: PC



LED: 4颗2835/5050 应用场景: 投光、工业照明。
Application scene: Projection, industrial lighting.



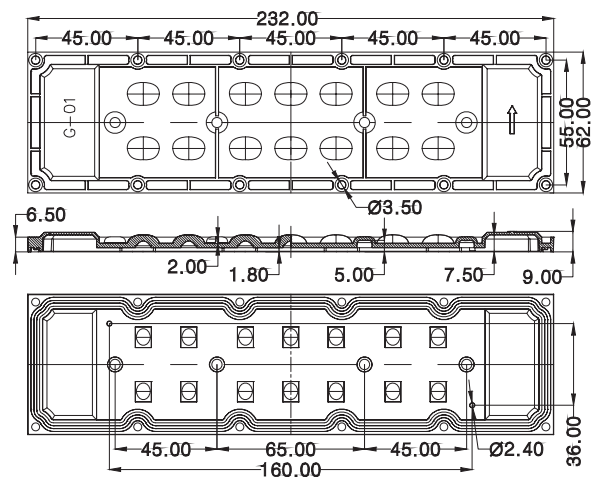
Item No.: HL-LD28-90D
Angle: 90°
Dim.: L258*W80*H6.9mm
Material: PC



LED: 3535 应用场景: 道路照明。
Application scene: Road lighting.



Item No.: HL-RL180G-01-K
Angle: 65X135°
Dim.: L232.00*W62.00*H9.00mm
Material: PC



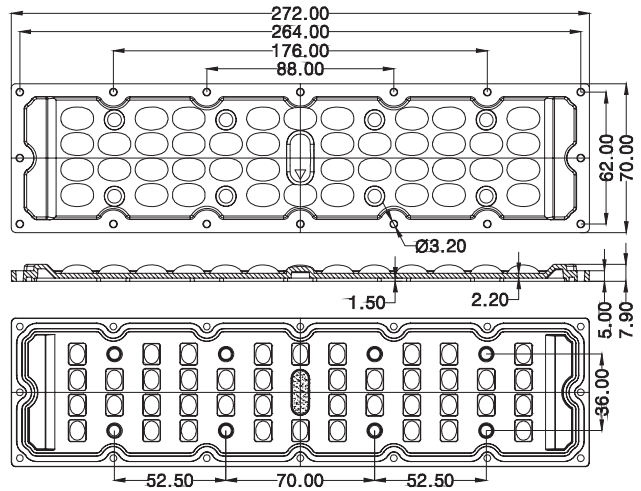
Street and industry lighting lens

道路、工业照明类透镜 (Street and industry lighting lens)

LED: 3030、3535 应用场景: 道路照明。
Application scene: Road lighting.



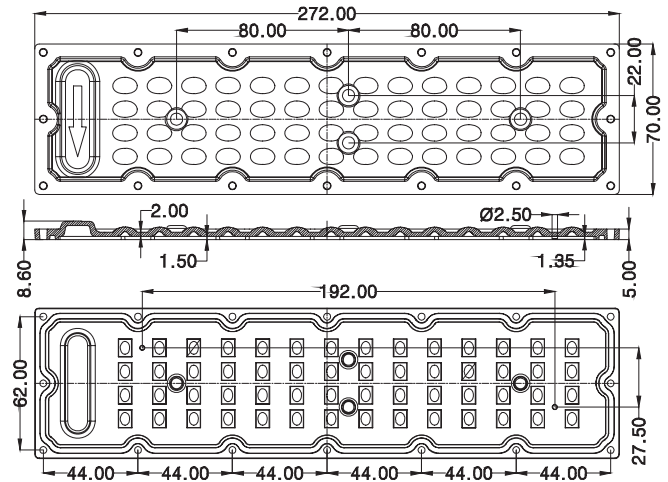
Item No.: HL-LD42EM70272
Angle: 65X150°
Dim.: L272.00*W70.00*H7.90mm
Material: PC



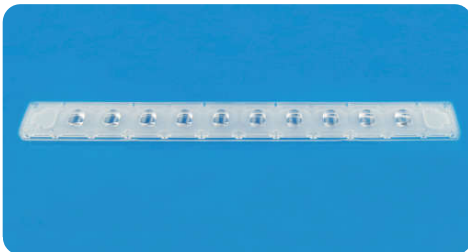
LED: 3030、3535 应用场景: 道路照明。
Application scene: Road lighting.



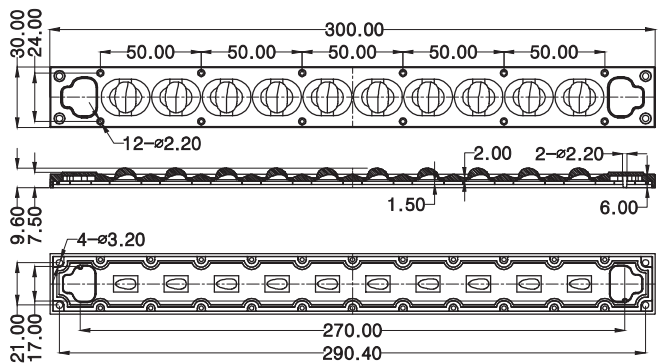
Item No.: HL-LD56W-3030
Angle: 75X150°
Dim.: L272.00*W70.00*H8.60mm
Material: PC



LED: 3535 应用场景: 道路照明。
Application scene: Road lighting.



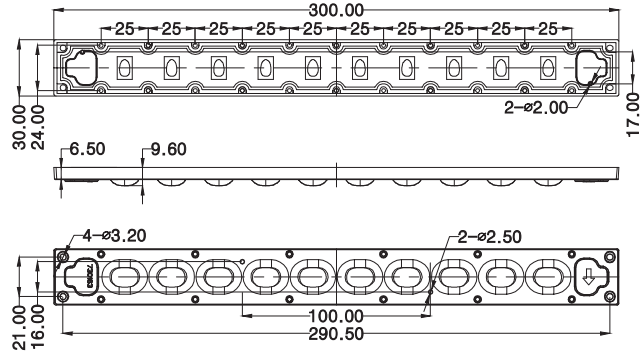
Item No.: HL-LD1*10-K2
Angle: 45X145°
Dim.: L300*W30*H9.6mm
Material: PC



Street and industry lighting lens

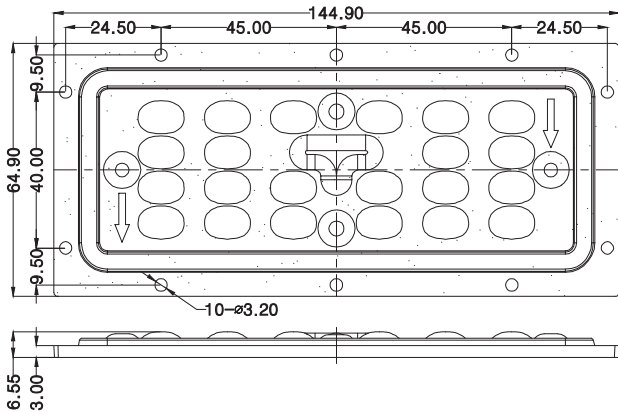
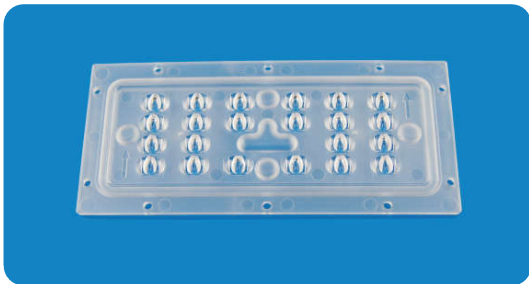
道路、工业照明类透镜 (Street and industry lighting lens)

LED: 3535 应用场景: 道路照明。
Application scene: Road lighting.



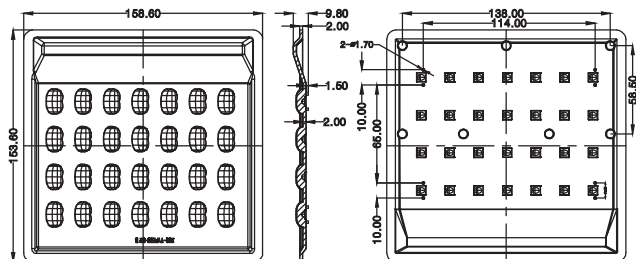
Item No.: HL-LD1*10-K5
Angle: 70X155°
Dim.: L300*W30*H9.6mm
Material: PC

LED: XTE 应用场景: 道路照明。
Application scene: Road lighting.



Item No.: HL-KK22W-K
Angle: 45X140°
Dim.: L144.9*W64.9*H6.55mm
Material: PC

LED: 3030 应用场景: 道路照明。
Application scene: Road lighting.

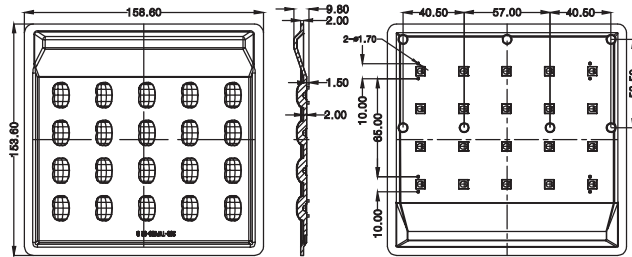


Item No.: HL-230-TYPE03-02B
Angle: 74X145°
Dim.: L158.6*W153.6*H9.8mm
Material: PC

Street and industry lighting lens

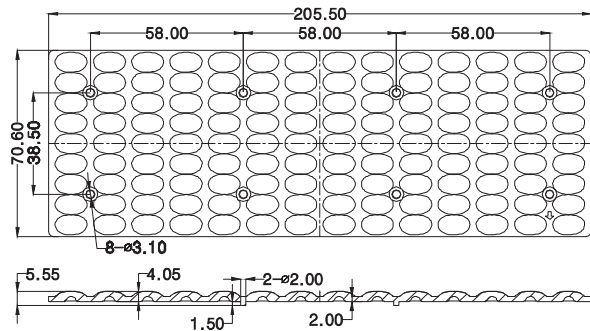
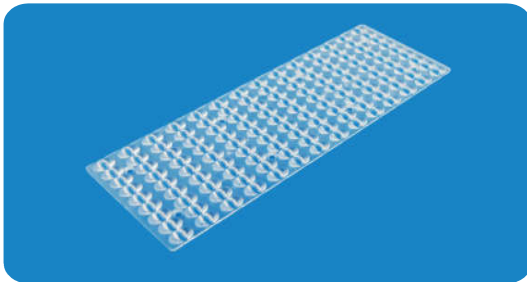
道路、工业照明类透镜 (Street and industry lighting lens)

LED: 3030 应用场景: 道路照明。
Application scene: Road lighting.



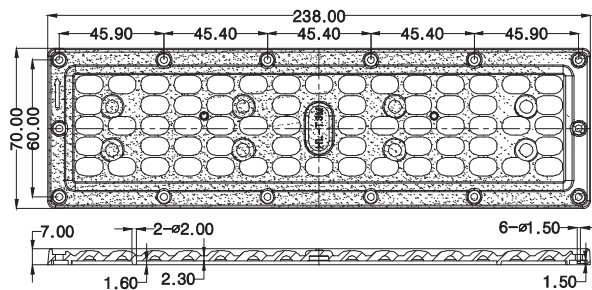
Item No.: HL-230-UST03M-20A
Angle: 74X145°
Dim.: L158.6*W153.6*H9.8mm
Material: PC

LED: 3030 应用场景: 道路照明。
Application scene: Road lighting.



Item No.: HL-206x71-T2S
Angle: 60X145°
Dim.: L205.5*W70.6*H5.55mm
Material: PC

LED: 3030 应用场景: 道路照明。
Application scene: Road lighting.

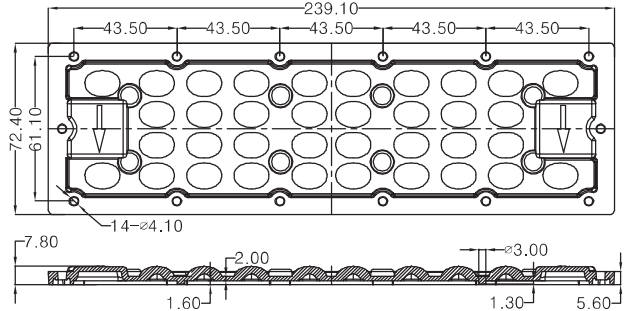


Item No.: HL-MS64W-T3M-K
Angle: T3M
Dim.: L238*W70*H7mm
Material: PC

Street and industry lighting lens

道路、工业照明类透镜 (Street and industry lighting lens)

LED: 3030 应用场景: 道路照明。
Application scene: Road lighting.



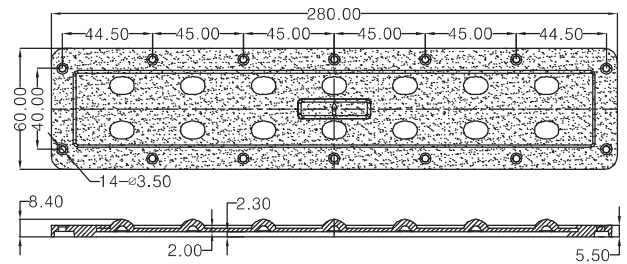
Item No.: HL-MESLD36-K

Angle: 65X135°

Dim.: L239.1*W72.4*H7.8mm

Material: PC

LED: 3535 应用场景: 道路照明。
Application scene: Road lighting.



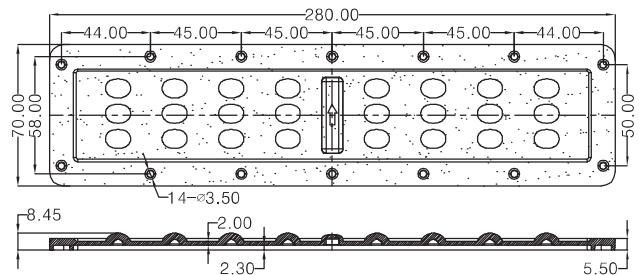
Item No.: HL-HHE2*7-K

Angle: 55X160°

Dim.: L280*W60*H8.4mm

Material: PC

LED: 3535 应用场景: 道路照明。
Application scene: Road lighting.



Item No.: HL-HHE3*8-K

Angle: 65X145°

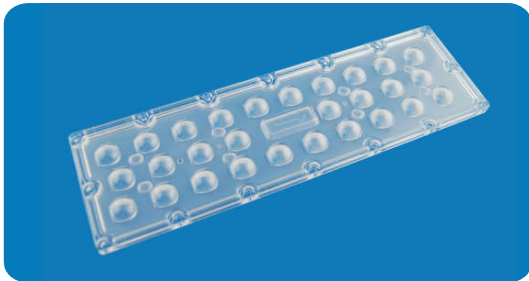
Dim.: L280*W70*H8.45mm

Material: PC

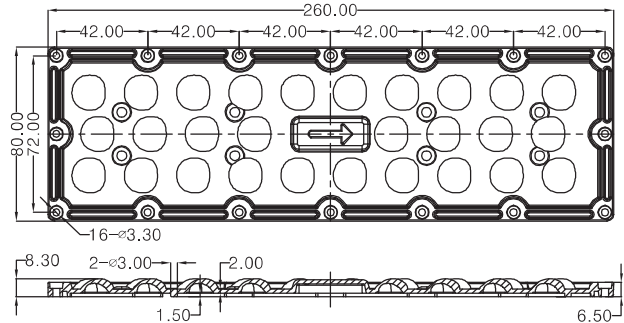
Street and industry lighting lens

道路、工业照明类透镜(Street and industry lighting lens)

LED: 5050 应用场景: 道路照明。
Application scene: Road lighting.



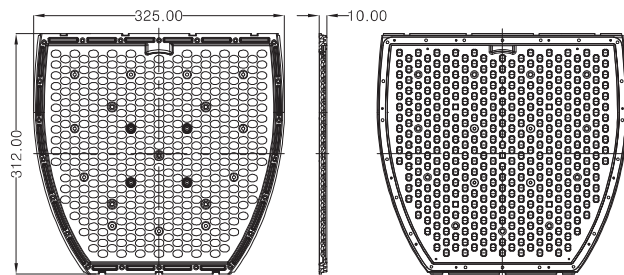
Item No.: HL-260x80-90135D
Angle: 90X135°
Dim.: L260*W80*H8.3mm
Material: PC



LED: 3030 应用场景: 道路照明。
Application scene: Road lighting.



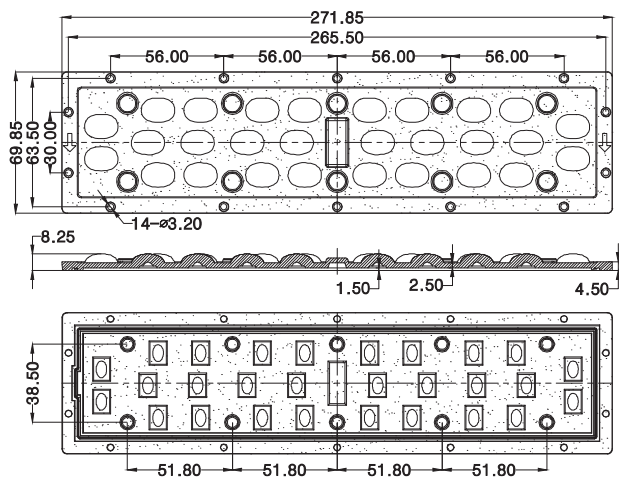
Item No.: HL-SD384W-K
Angle: 75X140°
Dim.: L325*W312*H10mm
Material: PC



LED: 5050 应用场景: 道路照明。
Application scene: Road lighting.



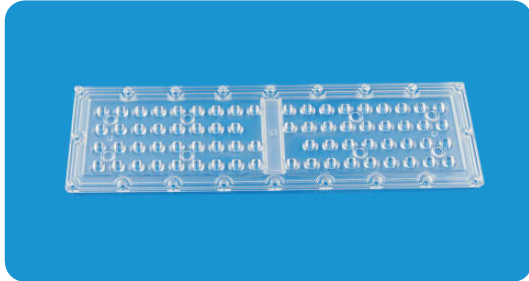
Item No.: HL-HB5050-K
Angle: 75X150°
Dim.: L271.85*W69.85*H8.25mm
Material: PC



Street and industry lighting lens

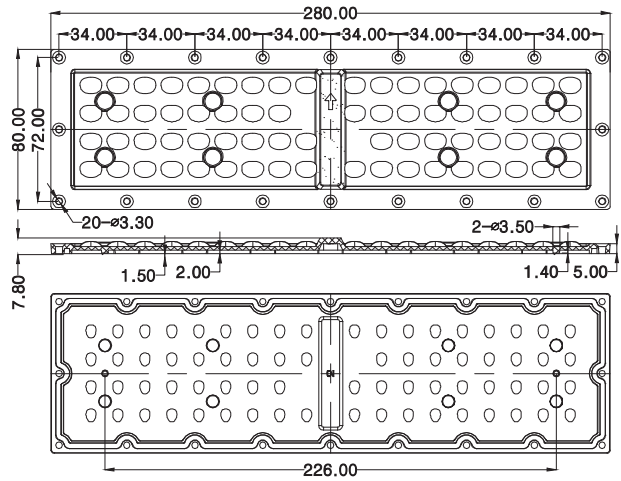
道路、工业照明类透镜 (Street and industry lighting lens)

LED: 3030 应用场景: 道路照明。
Application scene: Road lighting.



Item No.: HL-280x80-70145D

Angle: 70X145°
Dim.: L280*W80*H7.8mm
Material: PC

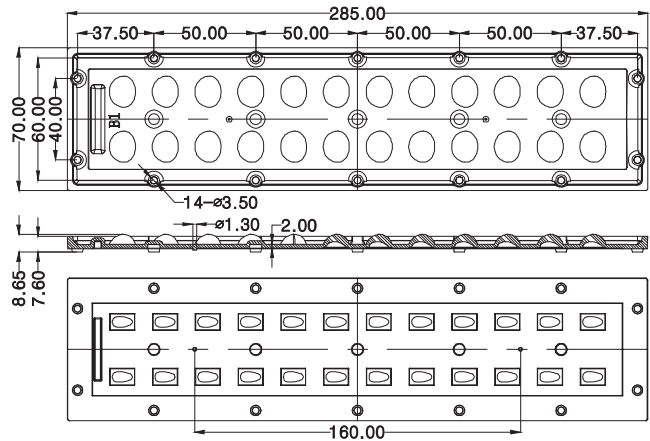


LED: 3030 应用场景: 道路照明。
Application scene: Road lighting.



Item No.: HL-24H1-70135

Angle: 70X135°
Dim.: L285*W70*H8.65mm
Material: PC

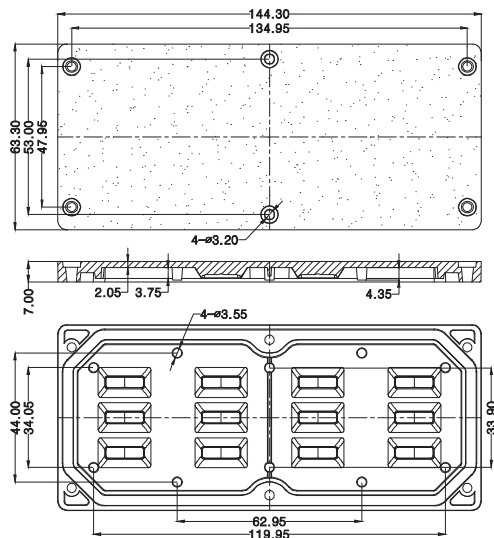


LED: 3030 应用场景: 仓储、投光照明。
Application scene: Warehouse, projection lighting.



Item No.: HL-HC90120-K

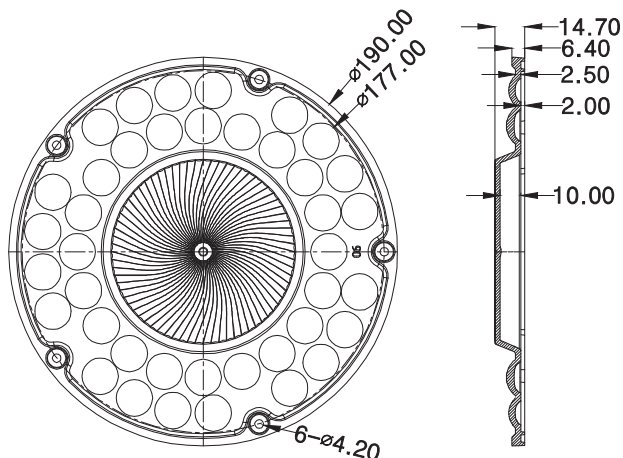
Angle: 90X120°
Dim.: L144.3*W63.3*H7mm
Material: PC



Street and industry lighting lens

道路、工业照明类透镜 (Street and industry lighting lens)

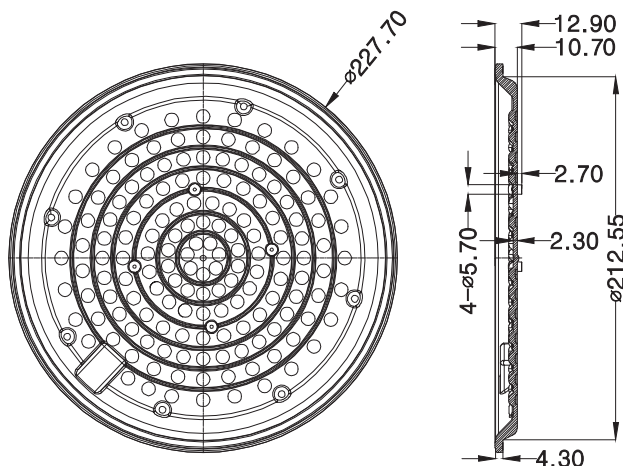
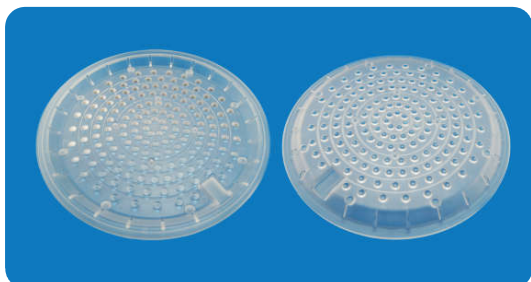
LED: 4颗2835/5050 应用场景: 道路照明。
Application scene: Road lighting.



Item No.: HL-TP190-90D

Angle: 90°
Dim.: $\varnothing 190 \times H14.7 \text{mm}$
Material: PC

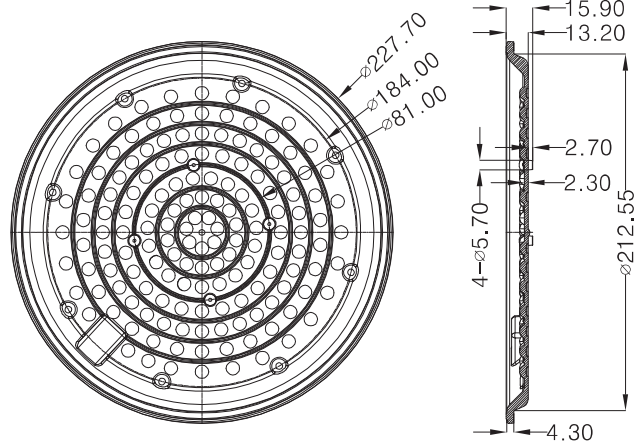
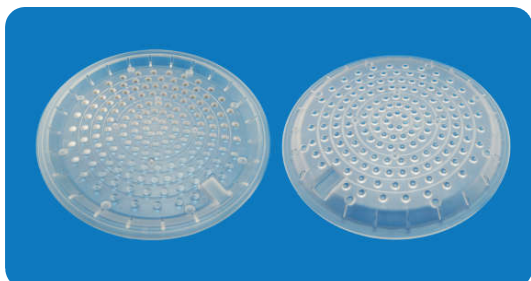
LED: 3030 应用场景: 工业照明。
Application scene: Industrial lighting.



Item No.: HL-ZT3060-K

Angle: 60°
Dim.: $\varnothing 227.7 \times H12.9 \text{mm}$
Material: PC

LED: 3030 应用场景: 工业照明。
Application scene: Industrial lighting.



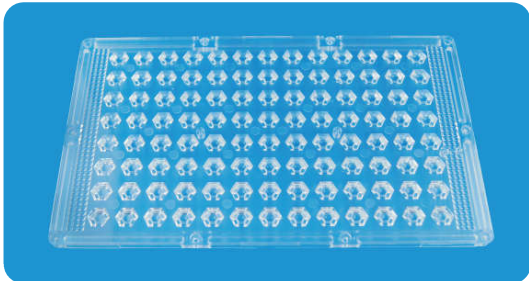
Item No.: HL-ZT3090-K

Angle: 90°
Dim.: $\varnothing 227.7 \times H15.9 \text{mm}$
Material: PC

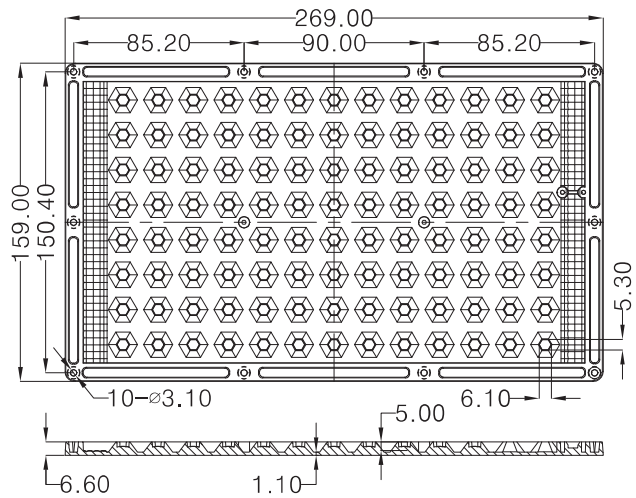
Street and industry lighting lens

道路、工业照明类透镜 (Street and industry lighting lens)

LED: 2835 应用场景: 工业照明。
Application scene: Industrial lighting.



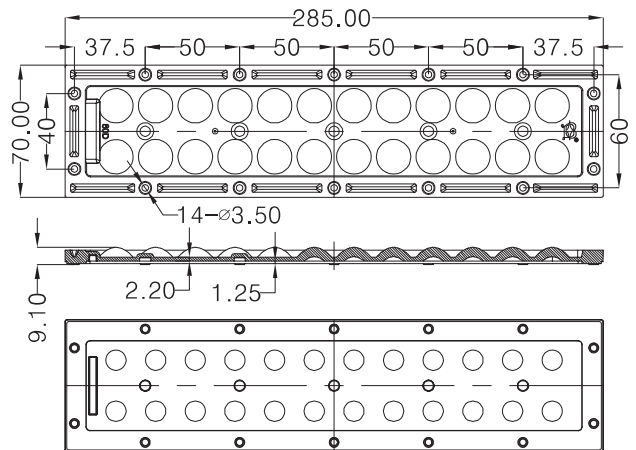
Item No.: HL-HY90D-2835-K
Angle: 90°
Dim.: L269*W159*H6.6mm
Material: PC



LED: 3030 应用场景: 工业照明。
Application scene: Industrial lighting.



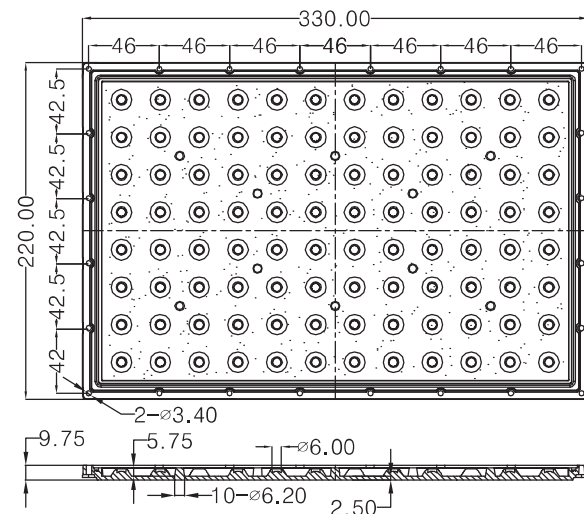
Item No.: HL-24H1-80D
Angle: 80°
Dim.: L285*W70*H9.1mm
Material: PC



LED: 5050 应用场景: 加油站照明。
Application scene: Gas station lighting.



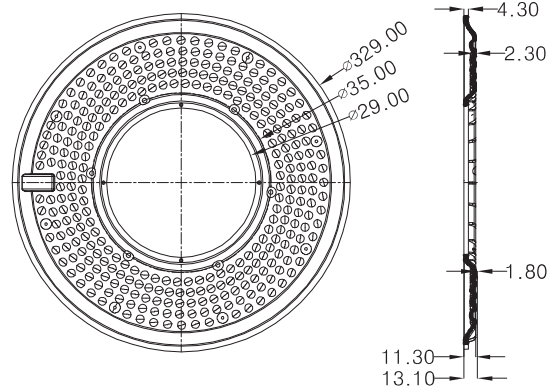
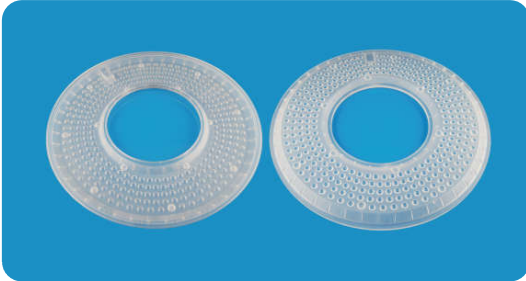
Item No.: HL-LS5050-30D-K
Angle: 30°
Dim.: L330*W220*H9.75mm
Material: PC



Street and industry lighting lens

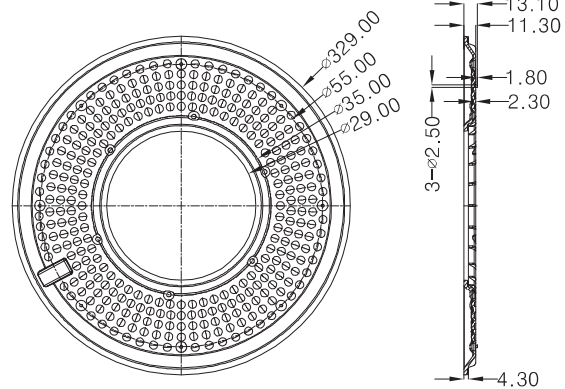
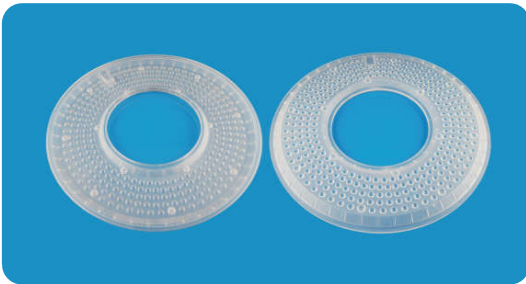
道路、工业照明类透镜 (Street and industry lighting lens)

LED: 3030 应用场景: 工业照明。
Application scene: Industrial lighting.



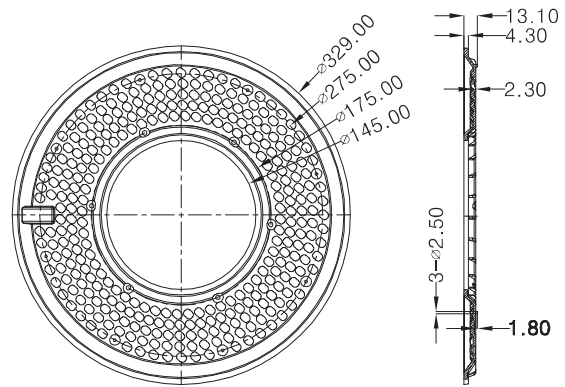
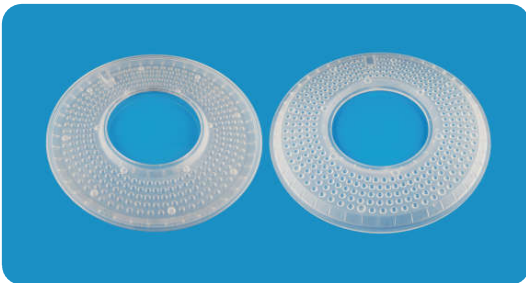
Item No.: HL-ZT60D-K
Angle: 60°
Dim.: $\phi 329 \times H13.1\text{mm}$
Material: PC

LED: 3030 应用场景: 工业照明。
Application scene: Industrial lighting.



Item No.: HL-ZT90D-K
Angle: 90°
Dim.: $\phi 329 \times H13.1\text{mm}$
Material: PC

LED: 3030 应用场景: 工业照明。
Application scene: Industrial lighting.



Item No.: HL-ZT6090D-K
Angle: 60X90°
Dim.: $\phi 329 \times H13.1\text{mm}$
Material: PC

Street and industry lighting lens

教育照明透镜 (School education lighting lens)

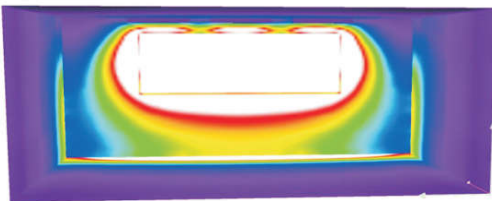


偏光定向黑板灯

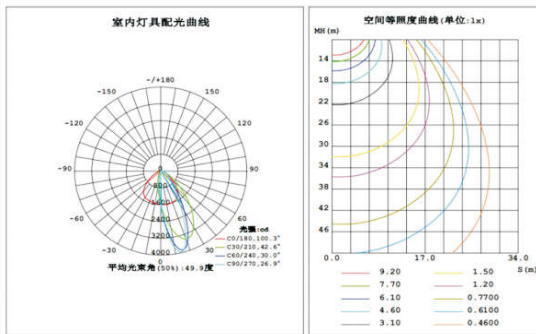
Polarized directional blackboard light

实测导入模拟得出数值 Measured the simulated values

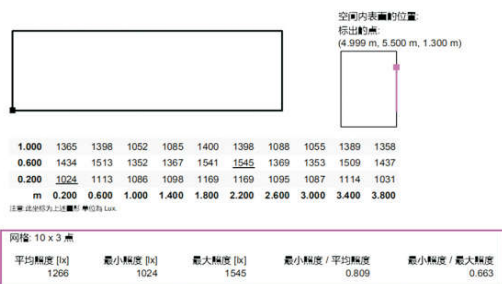
光斑模拟图



产品实测配光图



测试后导入模拟图



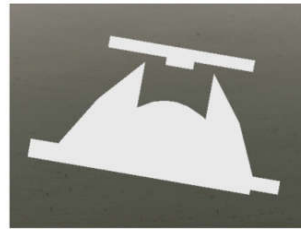
单灯测试模拟已达到0.8的均匀度，实际装灯2-3条，均匀度更高！

产品组装截面图 Product Assembly Cross Section Picture

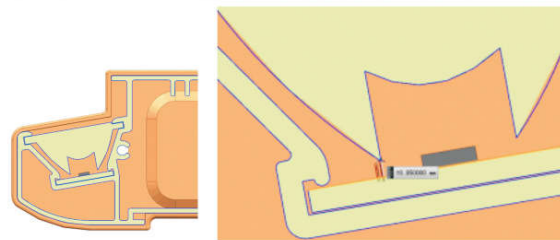
东莞市衡正光电有限公司
DONGGUAN HENGZHENG OPTOELECTRONICS CO., LTD.

WWW.HENGLILENS.COM

装配



透镜及PCB板整体向黑板方向偏转10度角，灯珠中心在透镜底部开孔中心，透镜底部开孔平面与LED出光面平齐。


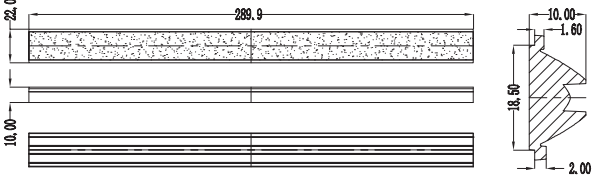

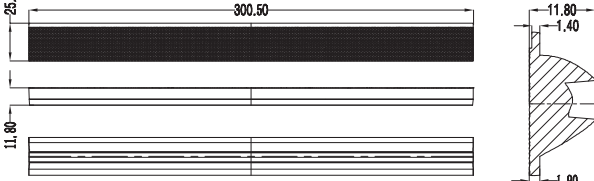

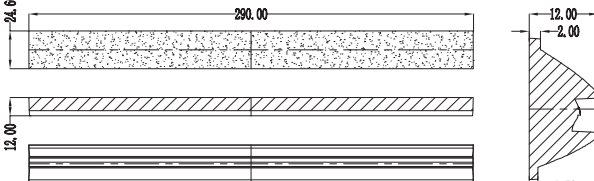

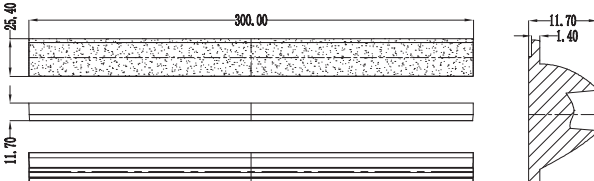

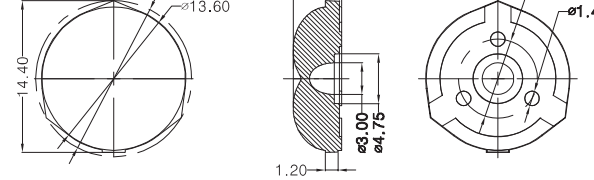

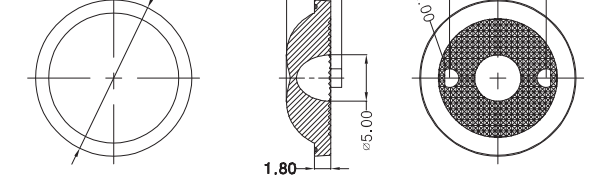

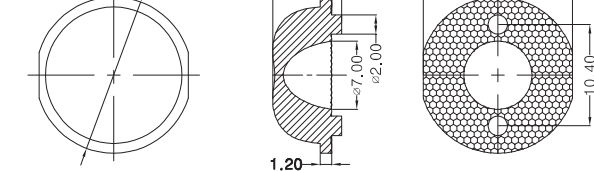


透镜最底面与铝基板距离为0.8mm

产品现场图 Product Site Scene



教育照明透镜 (School education lighting lens)

	<p>Item No.: HL-HB0520 均匀度 Uniformity: 0.85 Surface: Frosting/雾面 Dim.: L289.9*W22*H10mm LED Type: 2835 Material: PMMA</p>	
	<p>Item No.: HL-LTH2835-04-KC 均匀度 Uniformity: 0.8 Surface: Beaded/珠面 Dim.: L300.5*W25.5*H11.8mm LED Type: 2835 Material: PMMA</p>	
	<p>Item No.: HL-HBD2835-2 均匀度 Uniformity: 0.86 Surface: Frosting/雾面 Dim.: L290*W24.6*H12mm LED Type: 2835 Material: PMMA</p>	
	<p>Item No.: HL-LTH2835-04-X-K 均匀度 Uniformity: 0.8 Surface: Frosting/雾面 Dim.: L300*W25.4*H11.7mm LED Type: 2835 Material: PC</p>	
	<p>Item No.: HL-OD20-2835 Angle: 165° Surface: Mirrored/镜面 Dim.: Ø13.6*H4.4mm LED Type: 2835/3030 Material: PMMA</p>	
	<p>Item No.: HL-BG17160 Angle: 160° Surface: Mirrored/镜面 Dim.: Ø16.8*H4.8mm LED Type: 2835/3030 Material: PMMA</p>	
	<p>Item No.: HL-MB15140-2N Angle: 140° Surface: Mirrored/镜面 Dim.: Ø16.00*H6.05mm LED Type: XPE/XBD/2835/3030 Material: PMMA</p>	

School education lighting lens

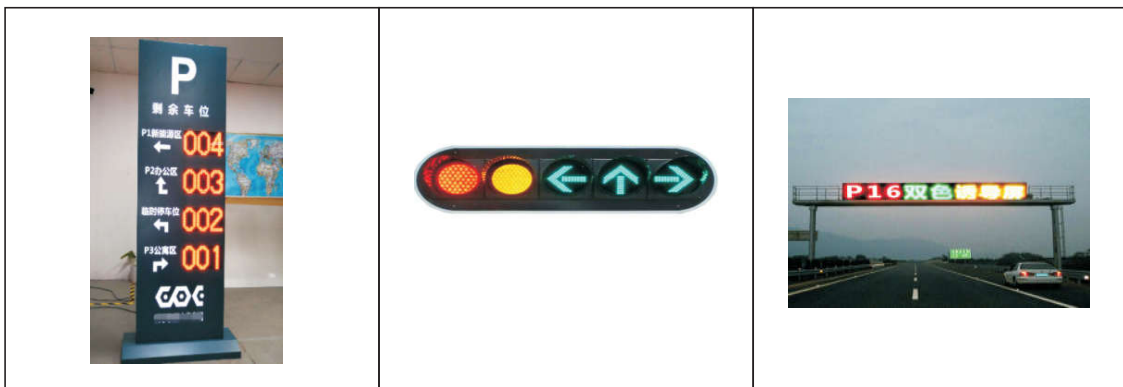
安防、交通显示类透镜 (Security and traffic display lighting lens)



应用实例
Application instance


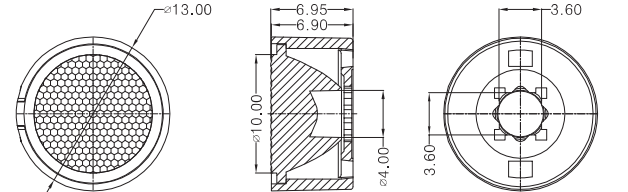

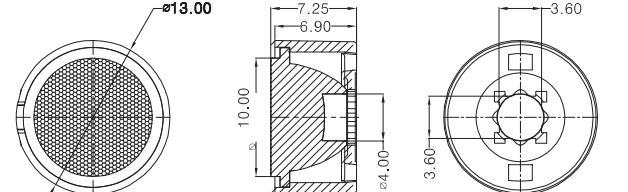

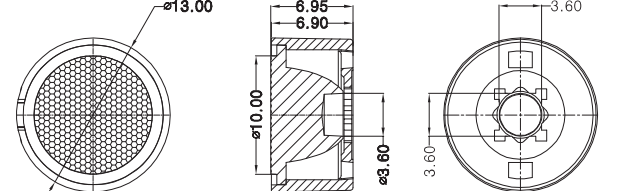

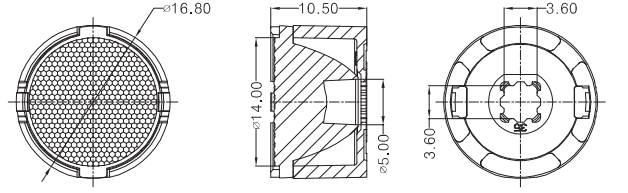

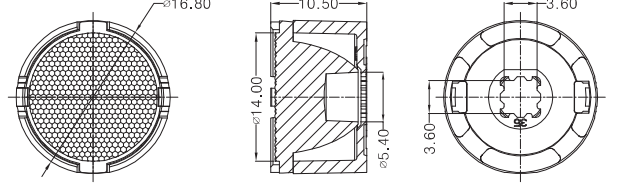








安防摄像设备 Security camera equipment



交通信息显示 Traffic information display equipment

安防、交通显示类透镜 (Security and traffic display lighting lens)

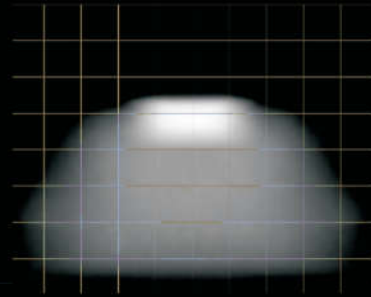
	<p>Item No.: HL-XP0130L-S Angle: 30° Surface: Beaded/珠面 Dim.: Ø13*H6.95mm LED Type: OSRAW Material: PMMA+PC</p>	
	<p>Item No.: HL-XP0160L-S2 Angle: 45° Surface: Beaded/珠面 Dim.: Ø13*H7.25mm LED Type: OSRAW Material: PMMA+PC</p>	
	<p>Item No.: HL-XP0190L-S Angle: 60° Surface: Beaded/珠面 Dim.: Ø13*H6.95mm LED Type: OSRAW Material: PMMA+PC</p>	
	<p>Item No.: HL-XP0140L-1509 Angle: 40° Surface: Beaded/珠面 Dim.: Ø16.8*H10.5mm LED Type: OSRAW Material: PMMA+PC</p>	
	<p>Item No.: XP0160L-1509 Angle: 60° Surface: Beaded/珠面 Dim.: Ø16.8*H10.5mm LED Type: OSRAW Material: PMMA+PC</p>	
	<p>LED Type: 3535RGB Material: PC 光学: 专业定制设计 Optics: Professional customized design</p>	
	<p>LED Type: 3535RGB Material: PC 光学: 专业定制设计 Optics: Professional customized design</p>	
	<p>LED Type: 3535RGB Material: PC 光学: 专业定制设计 Optics: Professional customized design</p>	

车载光学透镜(Car lighting lens)



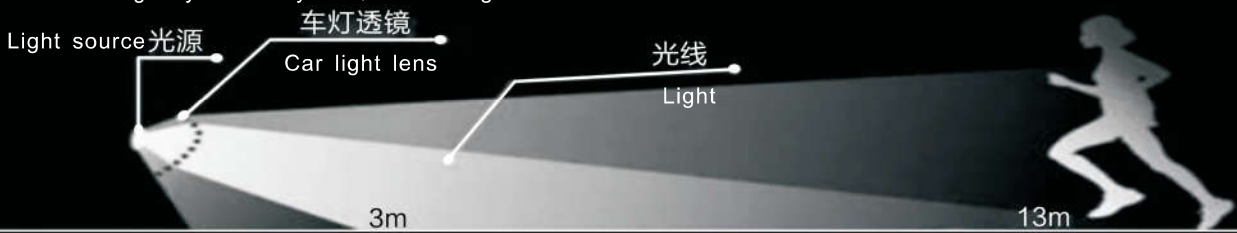
光线模拟图 Light simulation diagram

按照汽车灯近光设计，避免直射人眼。
Designed by the car low beam, avoid direct in the human eye.



德规设计，安全骑行


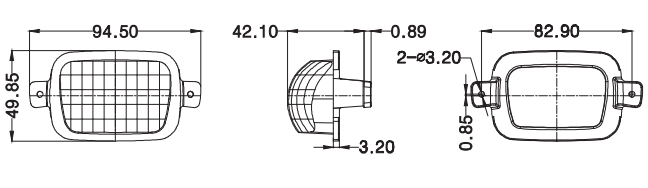

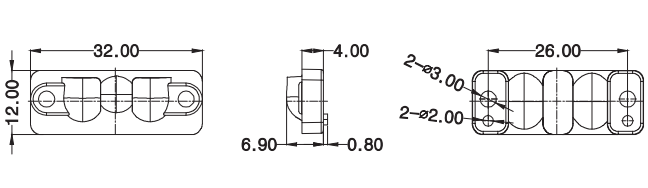

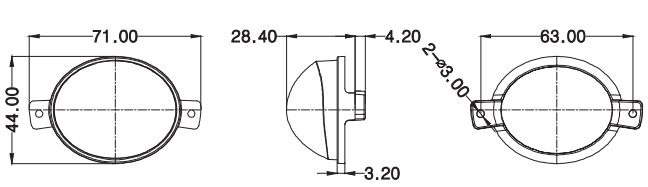

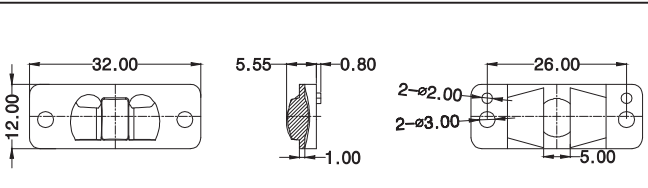

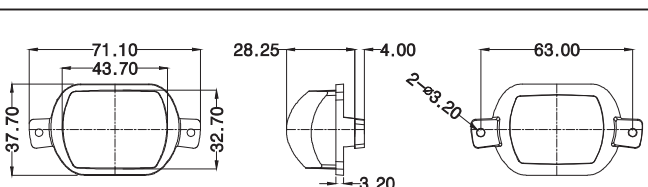

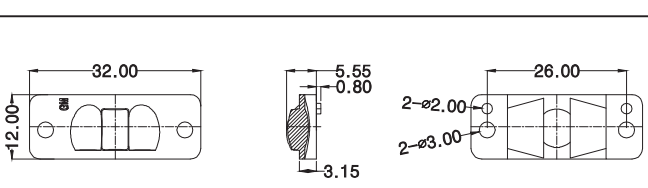

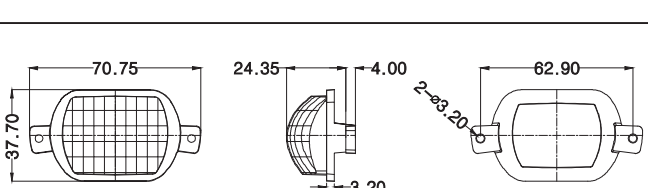

Design by Germany rule, safe riding



应用场景 Application scenario



车载光学透镜 (Car lighting lens)

	<p>Item No.: HL-CT5095-B Surface: Mirrored/镜面 Dim.: L94.5*W49.85*H10.8mm Material: PMMA</p>	
	<p>Item No.: HL-HY-S Surface: Mirrored/镜面 Dim.: L32*W12*H6.9mm Material: PC</p>	
	<p>Item No.: HL-CD-Y Surface: Mirrored/镜面 Dim.: L71*W44*H28.4mm Material: PMMA</p>	
	<p>Item No.: HL-JGD-A Surface: Mirrored/镜面 Dim.: L32*W12*H5.55mm Material: PC</p>	
	<p>Item No.: HL-YDG-B Surface: Mirrored/镜面 Dim.: L71.1*W37.7*H28.25mm Material: PMMA</p>	
	<p>Item No.: HL-JGD-GM Surface: Mirrored/镜面 Dim.: L32*W12*H5.55mm Material: PC</p>	
	<p>Item No.: HL-CD6-Y Surface: Mirrored/镜面 Dim.: L70.75*W37.7*H24.35mm Material: PC</p>	
		

Car lighting lens


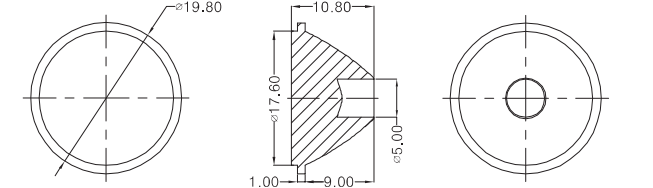

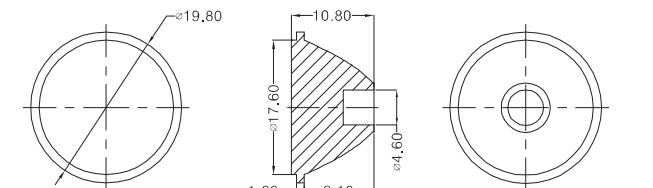

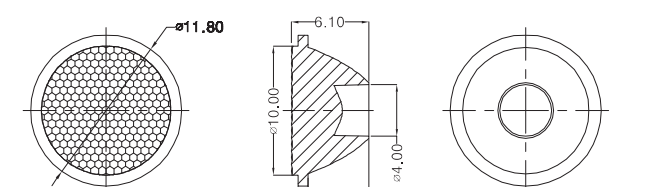

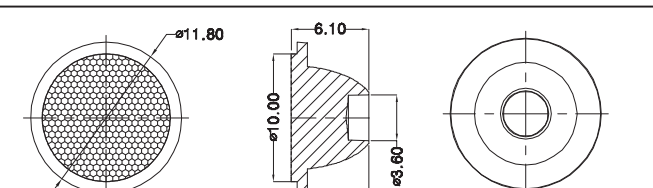

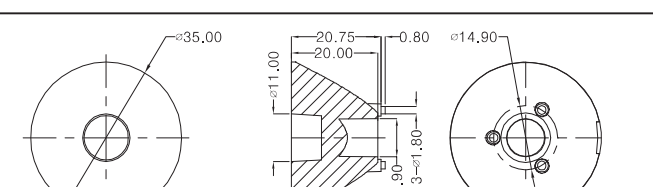

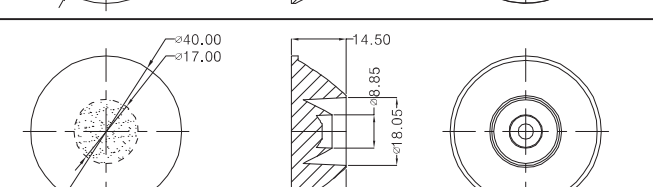

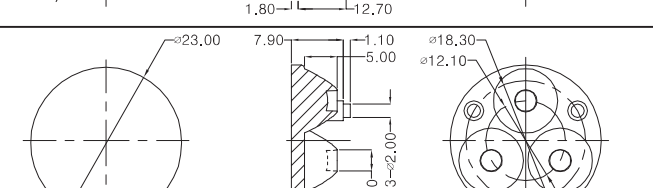

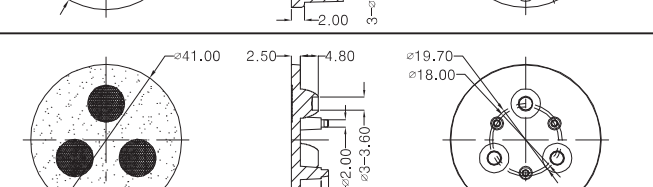
移动照明类透镜(Mobile lighting lens)



应用实例
Application instance



移动照明类透镜(Mobile lighting lens)

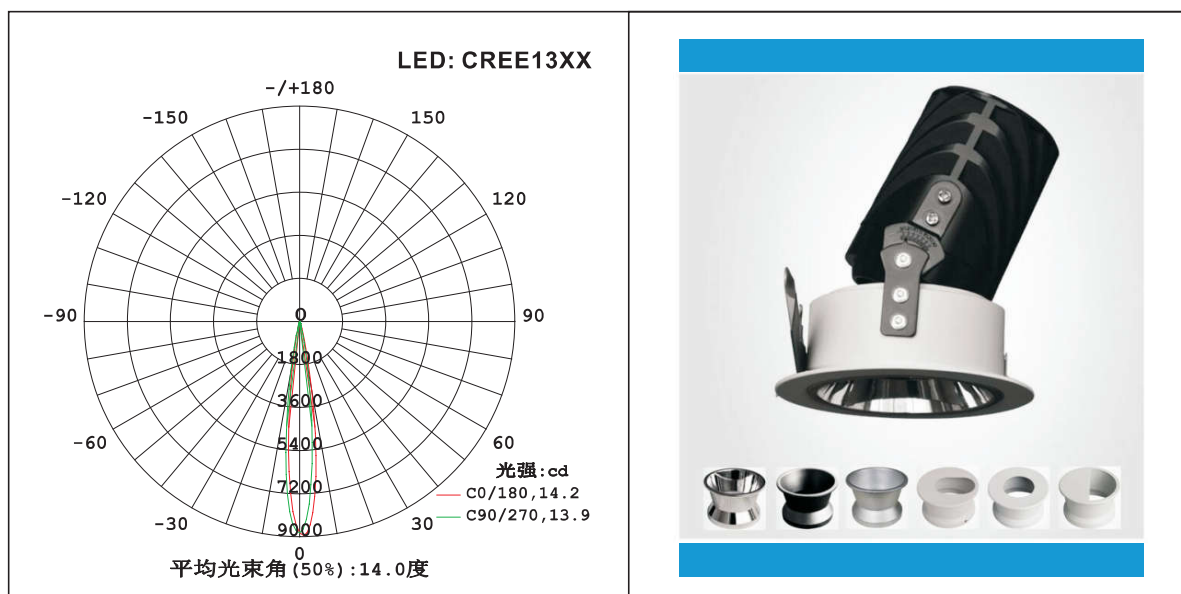
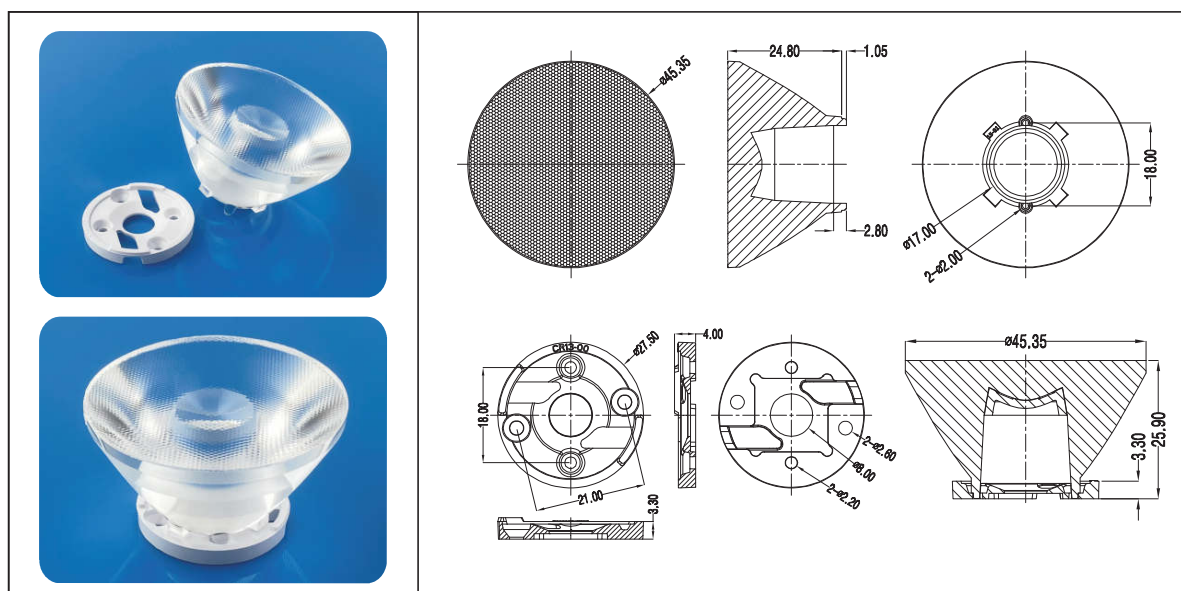
	<p>Item No.: HL-XP0108P Angle: 8° Surface: Mirrored/镜面 Dim.: Ø19.8*H10.8mm LED Type: 3535 Material: PMMA</p>	
	<p>Item No.: HL-XP0115P Angle: 15° Surface: Mirrored/镜面 Dim.: Ø19.8*H10.8mm LED Type: 3535 Material: PMMA</p>	
	<p>Item No.: HL-XP0130L-S Angle: 30° Surface: Beaded/珠面 Dim.: Ø11.8*H6.1mm LED Type: 3535 Material: PMMA</p>	
	<p>Item No.: HL-XP0190L-S Angle: 60° Surface: Beaded/珠面 Dim.: Ø11.8*H6.1mm LED Type: 3535 Material: PMMA</p>	
	<p>Item No.: HL-P3G-P7 Angle: 3° Surface: Mirrored/镜面 Dim.: Ø35*H20.75mm LED Type: 3535 Material: PMMA</p>	
	<p>Item No.: HL-TX02-4316 Angle: 3° Surface: Mirrored/镜面 Dim.: Ø40*H14.5mm LED Type: 3535 Material: PMMA</p>	
	<p>Item No.: HL-EA323P-15D Angle: 15° Surface: Mirrored/镜面 Dim.: Ø23*H7.9mm LED Type: 3535 Material: PMMA</p>	
	<p>Item No.: HL-YA03-90L-K Angle: 90° Surface: Frosting/雾面 Dim.: Ø41*H8.1mm LED Type: 3535 Material: PC</p>	

Mobile lighting lens


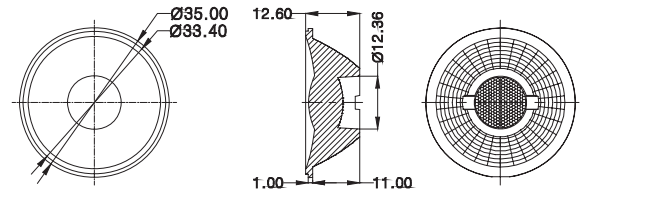

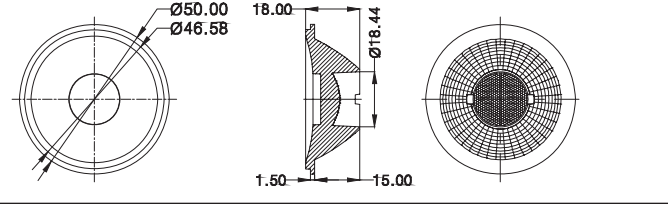

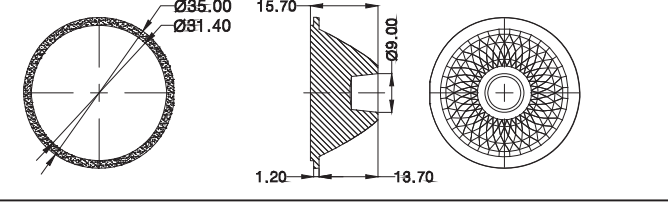

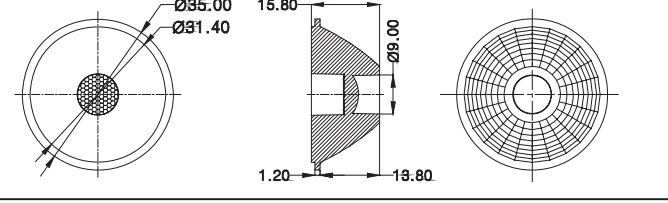

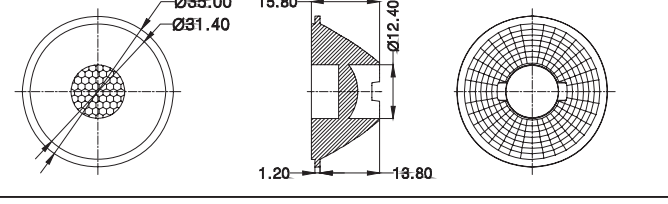

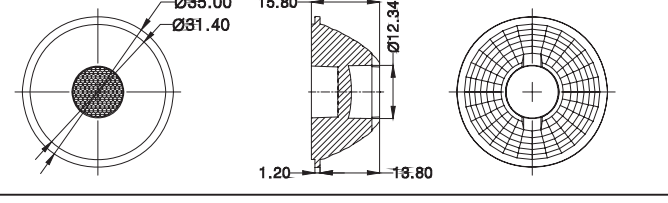

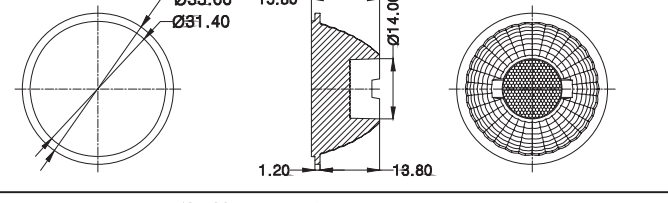

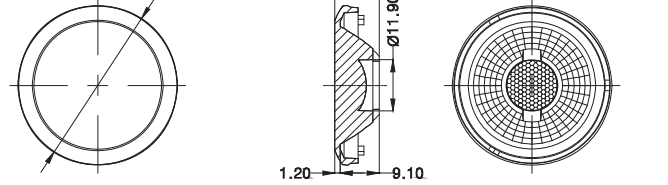
商照灯具透镜 (Business lighting lens)

■ 随着COB灯具的持续升温，不管是欧盟的ERP，还是美国的能源之星，都对灯具的光效做了严格的规定。衡力光电所推出的一系列COB透镜，采用鳞甲与复眼相结合的设计手法，再利用对模具的精准控制，所展现出来的光学特性，不管是产品的色均匀度、截光性，还是K值都能很好地符合相关的技术要求。

■ Both ERP of EU and Energy Star of USA have strict stipulation for the luminous efficiency of lamps in the wake of widely welcome of COB lighting fixture. The photometric characteristics of HengLi new COB lens series were designed by using combination of scute and ommateum and the accurate control of mold which have completely met the relative technical requirement in chrominance of average, cut-off character and K-value.


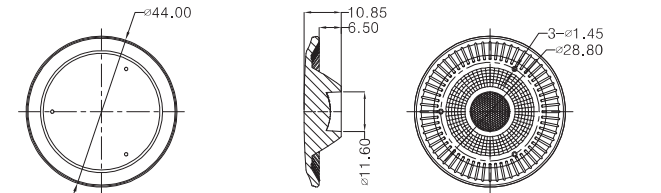

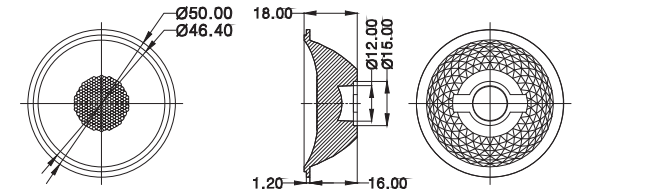

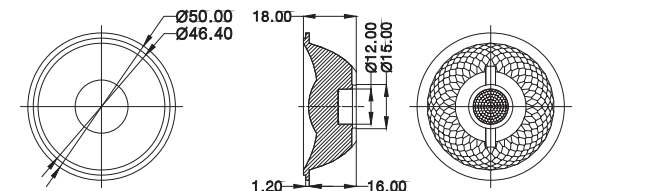

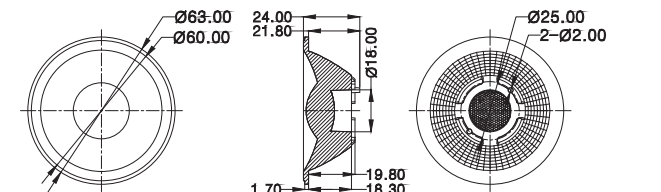

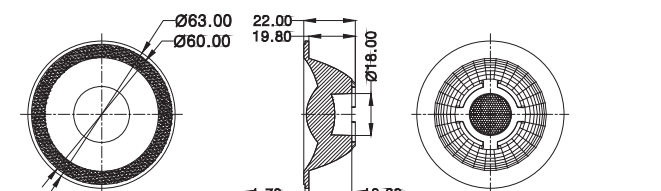

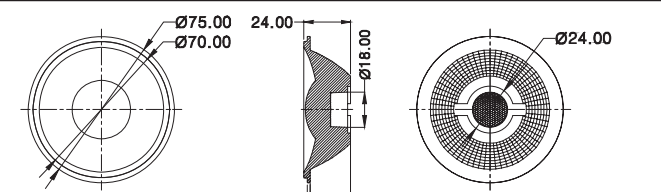

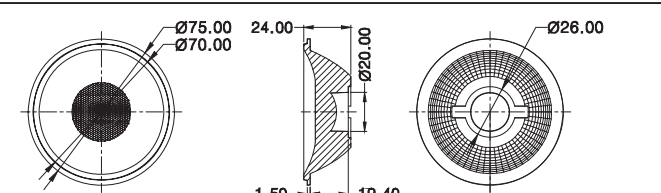

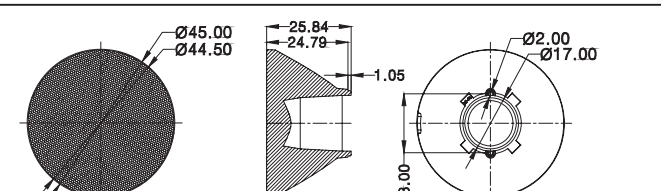


商照灯具透镜 (Business lighting lens)

	<p>Item No.: HL-NI0136G-3512 Angle: 36° Surface: Mirrored/镜面 Dim.: Ø35*H12.6mm LED Type: 2835/3030 Material: PMMA</p>	
	<p>Item No.: HL-NI0136G-5016 Angle: 36° Surface: Mirrored/镜面 Dim.: Ø50*H18mm LED Type: 2835/3030 Material: PMMA</p>	
	<p>Item No.: HL-CR0115G-3516 Angle: 15° Surface: Mirrored/镜面 Dim.: Ø35*H15.7mm LED Type: CREE-1304 Material: PMMA</p>	
	<p>Item No.: HL-MTG0125G-3516-2 Angle: 25° Surface: Mirrored/镜面 Dim.: Ø35*H15.8mm LED Type: COB Material: PMMA</p>	
	<p>Item No.: HL-CT0125G-3516 Angle: 25° Surface: Mirrored/镜面 Dim.: Ø35*H15.8mm LED Type: COB Material: PMMA</p>	
	<p>Item No.: HL-CT0138G-3516 Angle: 38° Surface: Mirrored/镜面 Dim.: Ø35*H15.8mm LED Type: COB Material: PMMA</p>	
	<p>Item No.: HL-CT0160G-3516 Angle: 60° Surface: Mirrored/镜面 Dim.: Ø35*H15.8mm LED Type: COB Material: PMMA</p>	
	<p>Item No.: HL-CT0138G-37 Angle: 38° Surface: Mirrored/镜面 Dim.: Ø37*H10.3mm LED Type: COB Material: PMMA</p>	

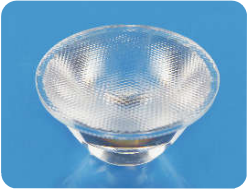
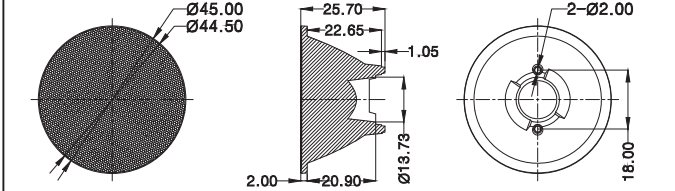

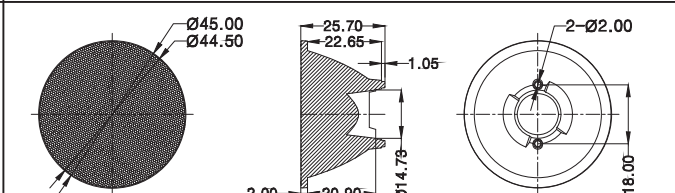

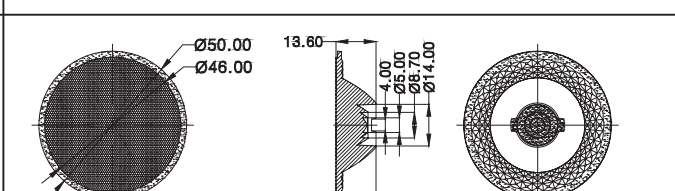

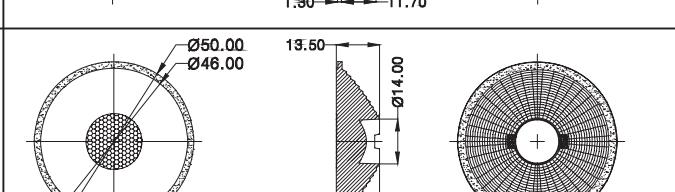
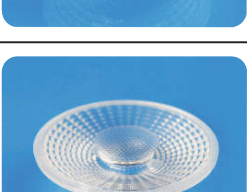
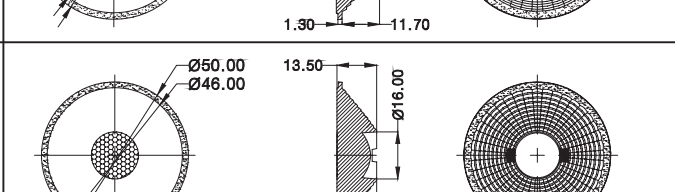

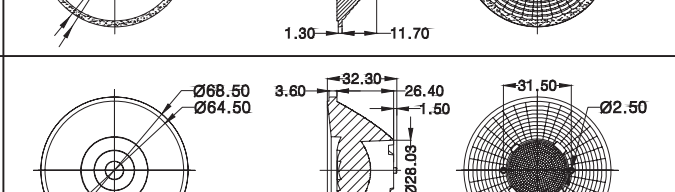

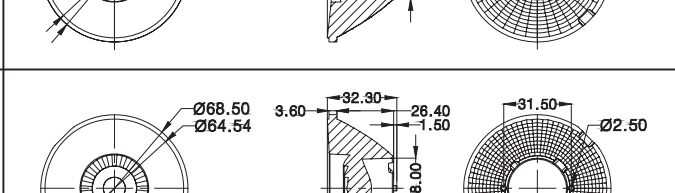

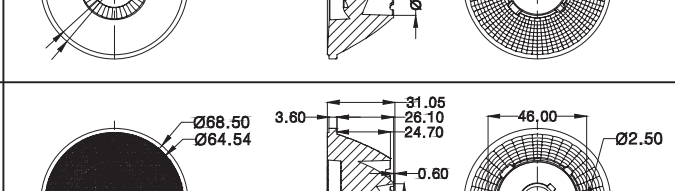
Business lighting lens

商照灯具透镜 (Business lighting lens)

	<p>Item No.: HL-CT36G-44 Angle: 36° Surface: Mirrored/镜面 Dim.: Ø44*H10.85mm LED Type: 7颗3030 Material: PC</p>	
	<p>Item No.: HL-BR0125G-5018 Angle: 25° Surface: Mirrored/镜面 Dim.: Ø50*H18mm LED Type: Cree-13xx Material: PMMA</p>	
	<p>Item No.: HL-BR0140G-5018 Angle: 40° Surface: Mirrored/镜面 Dim.: Ø50*H18mm LED Type: Cree-13xx Material: PMMA</p>	
	<p>Item No.: HL-CT0124G6522M Angle: 24° Surface: Frosting/雾面 Dim.: Ø63*H24mm LED Type: COB Material: PMMA</p>	
	<p>Item No.: HL-CT0138G-6522 Angle: 38° Surface: Mirrored/镜面 Dim.: Ø63*H22mm LED Type: COB Material: PMMA</p>	
	<p>Item No.: HL-SP0124G-7524 Angle: 24° Surface: Mirrored/镜面 Dim.: Ø75*H24mm LED Type: Cree 18xx Material: PMMA</p>	
	<p>Item No.: HL-SP0140G-7524 Angle: 40° Surface: Mirrored/镜面 Dim.: Ø75*H24mm LED Type: Cree 18xx Material: PMMA</p>	
	<p>Item No.: HL-CR15G-4525 Angle: 15° Surface: Beaded/珠面 Dim.: Ø45*H25.84mm LED Type: Cree 13xx/15xx Material: PMMA</p>	


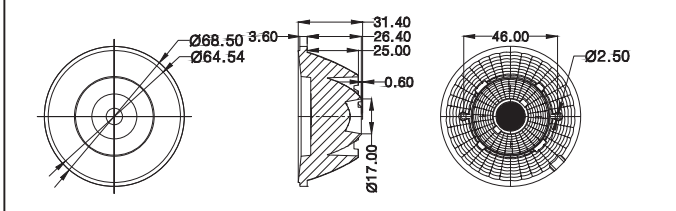

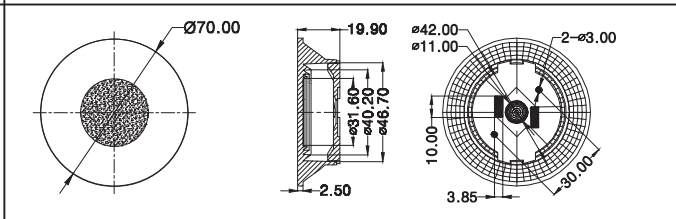

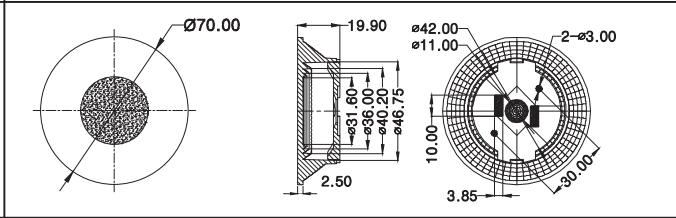

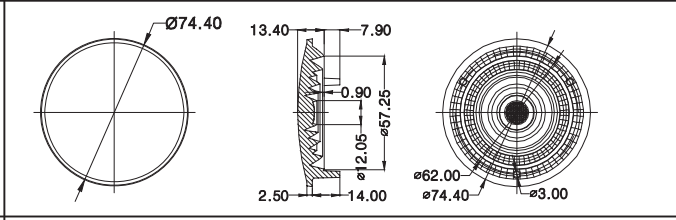

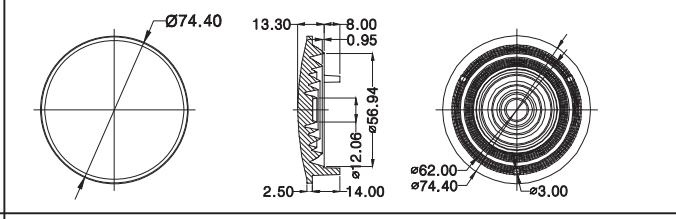

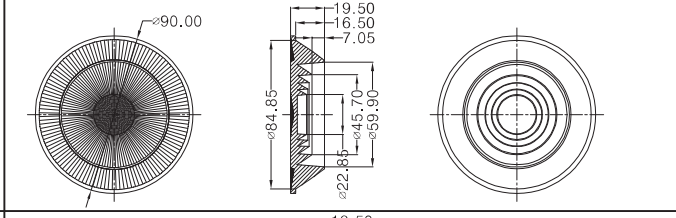

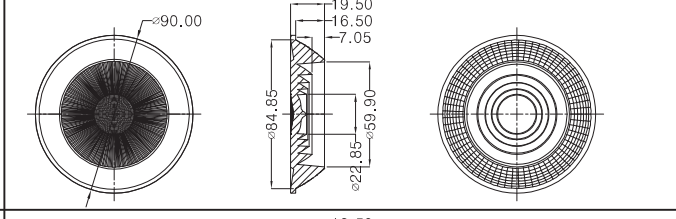

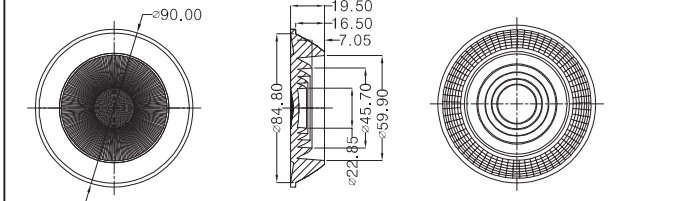
Business lighting lens

商照灯具透镜 (Business lighting lens)

	<p>Item No.: HL-CR24G-4525 Angle: 24° Surface: Beaded/珠面 Dim.: Ø45*H25.7mm LED Type: Cree 13xx/15xx Material: PMMA</p>	
	<p>Item No.: HL-CR36G-4525 Angle: 36° Surface: Beaded/珠面 Dim.: Ø45*H25.7mm LED Type: Cree 13xx/15xx Material: PMMA</p>	
	<p>Item No.: HL-CR24G-5012 Angle: 24° Surface: Beaded/珠面 Dim.: Ø50*H13.6mm LED Type: Cree 15xx Material: PC</p>	
	<p>Item No.: HL-CR36G-5012 Angle: 36° Surface: Mirrored/镜面 Dim.: Ø50*H13.5mm LED Type: Cree 15xx Material: PC</p>	
	<p>Item No.: HL-CR60G-5012 Angle: 60° Surface: Mirrored/镜面 Dim.: Ø50*H13.5mm LED Type: Cree 15xx Material: PC</p>	
	<p>Item No.: HL-CR10G-6930 Angle: 10° Surface: Mirrored/镜面 Dim.: Ø68.5*H32.3mm LED Type: Cree 15xx/18xx Material: PMMA</p>	
	<p>Item No.: HL-CR24G-6930 Angle: 24° Surface: Mirrored/镜面 Dim.: Ø68.5*H32.3mm LED Type: Cree 15xx/18xx Material: PMMA</p>	
	<p>Item No.: HL-CR36G-6930 Angle: 36° Surface: Beaded/珠面 Dim.: Ø68.5*H31.05mm LED Type: Cree 15xx/18xx Material: PMMA</p>	

Business lighting lens

商照灯具透镜 (Business lighting lens)

	<p>Item No.: HL-CR45G-6930 Angle: 45° Surface: Mirrored/镜面 Dim.: Ø68.5*H31.4mm LED Type: Cree 13xx/18xx Material: PMMA</p>	
	<p>Item No.: HL-AR12D7018 Angle: 12° Surface: Mirrored/镜面 Dim.: Ø70*H19.9mm LED Type: 7070/Cree 15xx Material: PMMA+PC</p>	
	<p>Item No.: HL-AR24D7018 Angle: 24° Surface: Mirrored/镜面 Dim.: Ø70*H19.9mm LED Type: 7070/Cree 15xx Material: PMMA+PC</p>	
	<p>Item No.: HL-AR15D7513 Angle: 15° Surface: Mirrored/镜面 Dim.: Ø74.4*H13.4mm LED Type: 7070/Cree 15xx Material: PC</p>	
	<p>Item No.: HL-AR38D7513 Angle: 38° Surface: Mirrored/镜面 Dim.: Ø74.4*H13.3mm LED Type: 7070/Cree 15xx Material: PC</p>	
	<p>Item No.: HL-AR12D9020 Angle: 12° Surface: Mirrored/镜面 Dim.: Ø90*H19.5mm LED Type: 7070/Cree 15xx Material: PC</p>	
	<p>Item No.: HL-AR25D9020 Angle: 25° Surface: Mirrored/镜面 Dim.: Ø90*H19.5mm LED Type: 7070/Cree 15xx Material: PC</p>	
	<p>Item No.: HL-AR38D9020 Angle: 38° Surface: Mirrored/镜面 Dim.: Ø90*H19.5mm LED Type: 7070/Cree 15xx Material: PC</p>	

Business lighting lens


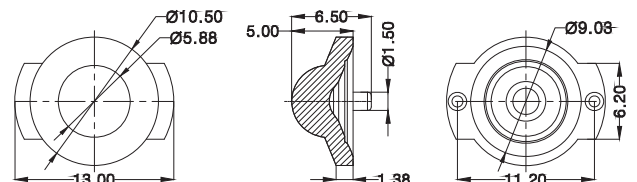

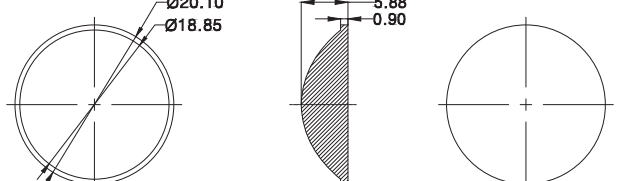

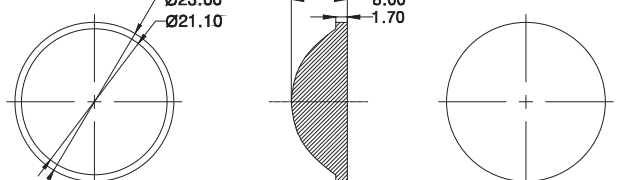

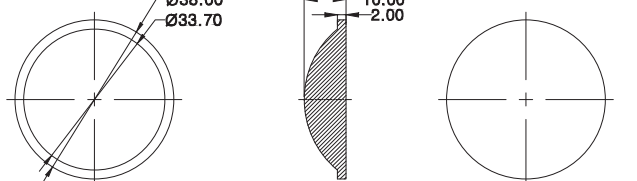

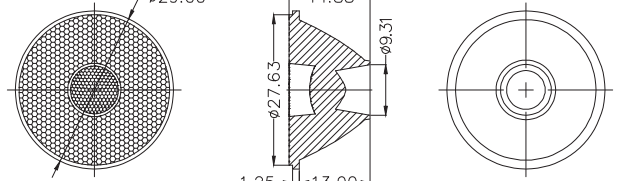
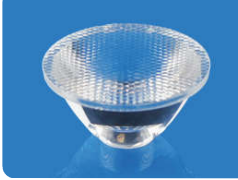
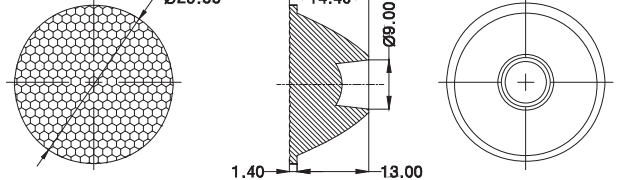
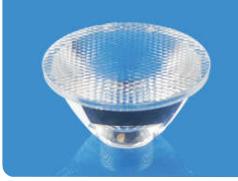
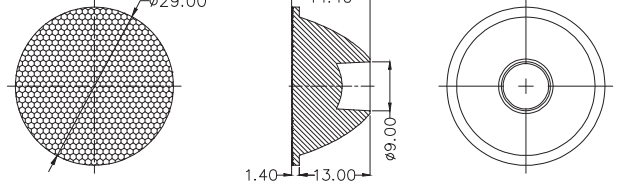

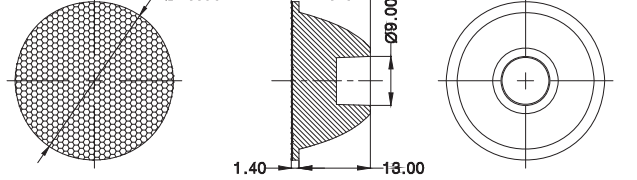
舞台照明透镜 (Stage lighting lens)




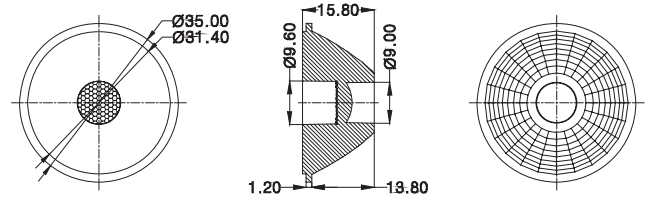

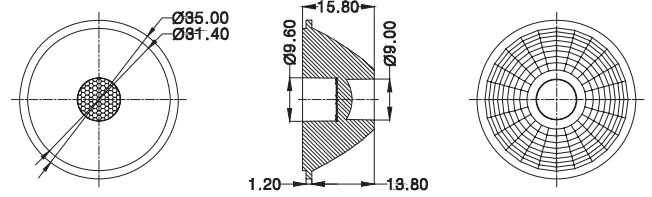
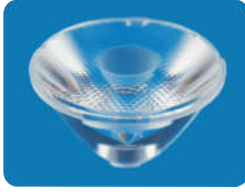
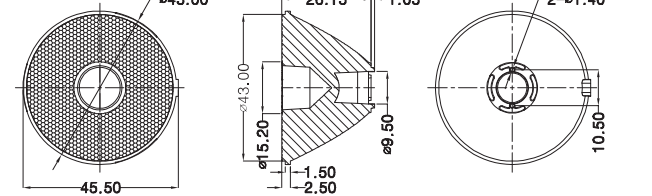

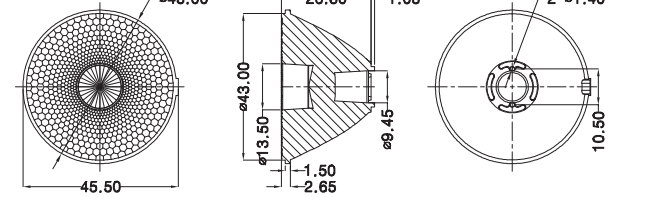

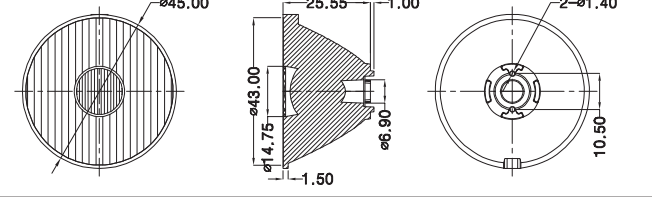

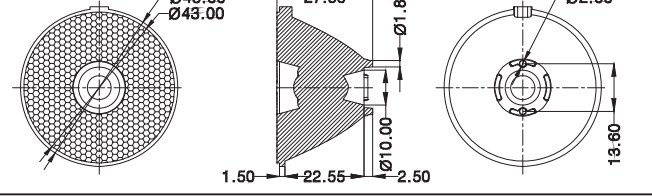

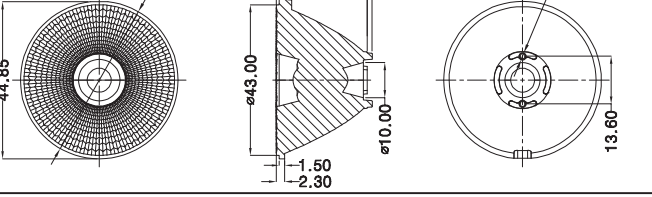

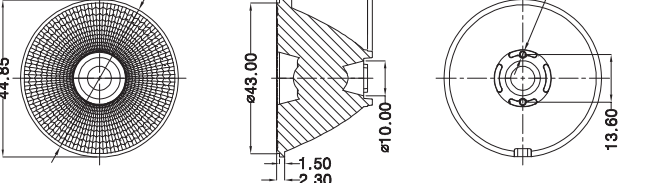
舞台照明场景
Stage lighting scene

舞台照明透镜 (Stage lighting lens)

Stage lighting lens


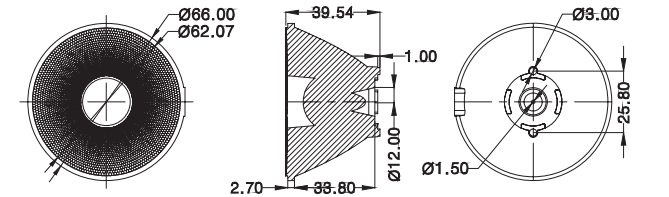

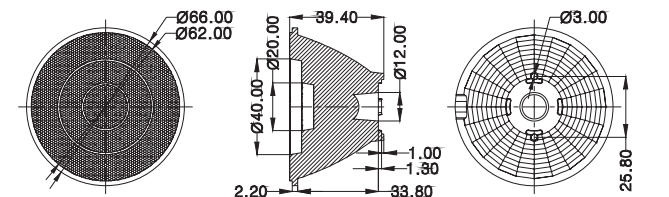

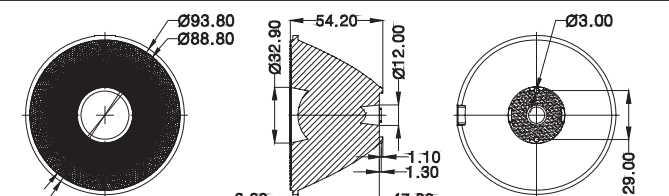

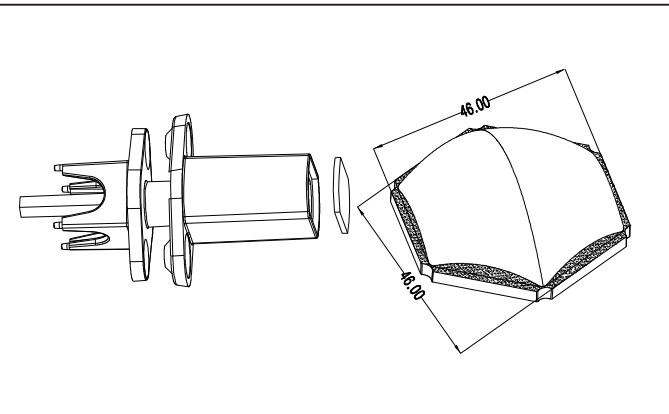
	<p>Item No.: HL-AN1307-K Angle: 60° Surface: Mirrored/镜面 Dim.: Ø10.5(L13)*H6.5mm LED Type: XPE/3535 Material: PMMA</p>	
	<p>Item No.: HL-BJ20T-K Angle: 15-60° Surface: Mirrored/镜面 Dim.: Ø20.1*H5.88mm LED Type: Convex lenx Series Material: PMMA</p>	
	<p>Item No.: HL-23T Angle: 10-45° Surface: Mirrored/镜面 Dim.: Ø23*H8mm LED Type: XPE/3535 Material: PMMA</p>	
	<p>Item No.: HL-38T Angle: 10-60° Surface: Mirrored/镜面 Dim.: Ø38*H10mm LED Type: S2W/S2WN Material: PMMA</p>	
	<p>Item No.: HL-2914-15D Angle: 15° Surface: Beaded/珠面 Dim.: Ø29*H14.88mm LED Type: RGB/RGBW/TX9090 Material: PMMA</p>	
	<p>Item No.: HL-MTG0138L Angle: 25° Surface: Beaded/珠面 Dim.: Ø29*H14.4mm LED Type: RGB/RGBW/TX9090 Material: PMMA</p>	
	<p>Item No.: HL-MTG0138L2914 Angle: 38° Surface: Beaded/珠面 Dim.: Ø29*H14.4mm LED Type: RGB/RGBW/TX9090 Material: PMMA</p>	
	<p>Item No.: HL-MTG0160L2914 Angle: 60° Surface: Beaded/珠面 Dim.: Ø29*H14.4mm LED Type: RGB/RGBW/TX9090 Material: PMMA</p>	

舞台照明透镜 (Stage lighting lens)

	<p>Item No.: HL-MTG0125G-3516-2 Angle: 25° Surface: Mirrored/镜面 Dim.: Ø35*H15.8mm LED Type: RGBW/TX909 Material: PMMA</p>	
	<p>Item No.: HL-MTG0125G-3516-3 Angle: 38° Surface: Mirrored/镜面 Dim.: Ø35*H15.8mm LED Type: RGBW/TX909 Material: PMMA</p>	
	<p>Item No.: HL-XM08D-4526N Angle: 8° Surface: Beaded/珠面 Dim.: Ø45*H26.15mm LED Type: 5050RGBW Material: PMMA</p>	
	<p>Item No.: HL-XM25D-4526 Angle: 25° Surface: Beaded/珠面 Dim.: Ø45*H26.3mm LED Type: 5050RGBW Material: PMMA</p>	
	<p>Item No.: HL-XM1045X-4526 Angle: 10*45° Surface: Striped/条纹 Dim.: Ø45*H25.55mm LED Type: XML/OSTAR-15W Material: PMMA</p>	
	<p>Item No.: HL-OS08L-4526 Angle: 8° Surface: Beaded/珠面 Dim.: Ø45*H27.35mm LED Type: S2W/TX5060 Material: PMMA</p>	
	<p>Item No.: HL-OS15D-4526 Angle: 15° Surface: Beaded/珠面 Dim.: Ø45*H25.95mm LED Type: 5060RGBW Material: PMMA</p>	
	<p>Item No.: HL-OS25D-4526 Angle: 25° Surface: Beaded/珠面 Dim.: Ø45*H25.95mm LED Type: 5060RGBW Material: PMMA</p>	

Stage lighting lens

舞台照明透镜 (Stage lighting lens)

	<p>Item No.: HL-OS05D-6639 Angle: 5° Surface: Beaded/珠面 Dim.: Ø66*H39.54mm LED Type: S2WN/添鑫25W Material: PMMA</p>	
	<p>Item No.: HL-TX20D-6538 Angle: 20° Surface: Beaded/珠面 Dim.: Ø66*H39.4mm LED Type: S2WN/添鑫25W Material: PMMA</p>	
	<p>Item No.: HL-9451L-5D-3 Angle: 5° Surface: Beaded/珠面 Dim.: Ø93.8*H54.2mm LED Type: S2WP-60W Material: PMMA</p>	
	<p>Item No.: HL-BJ52T变焦套件 Angle: 5-60° LED Type: SZW/SZWN Material: PMMA+PPS+玻璃</p>	

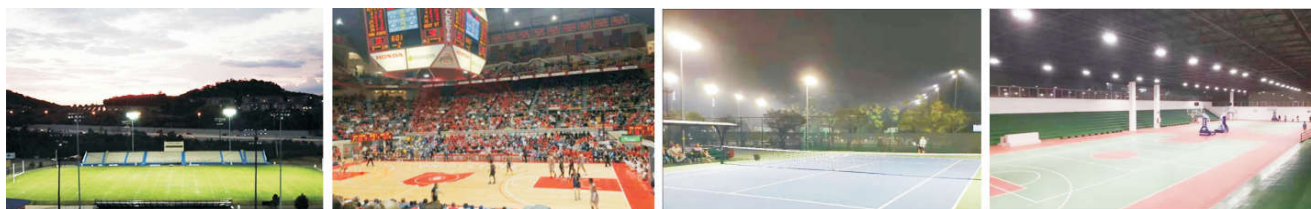
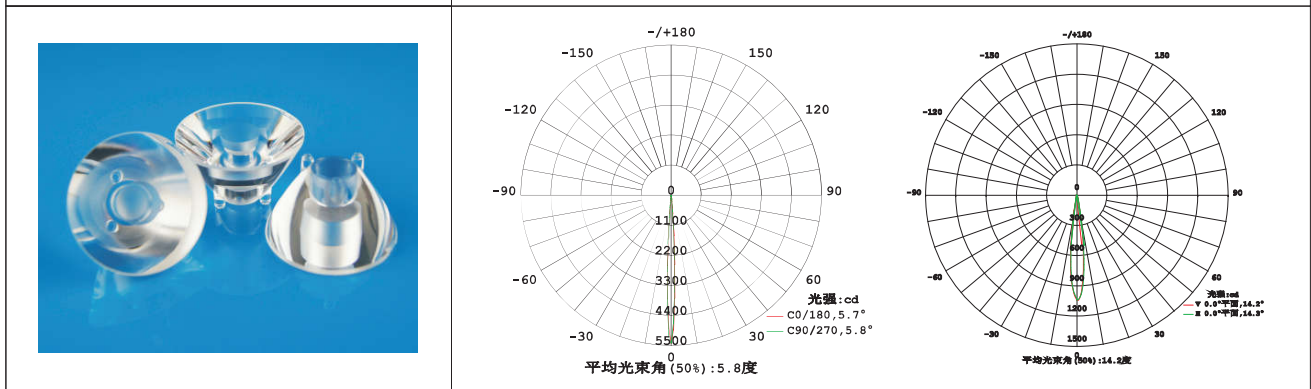
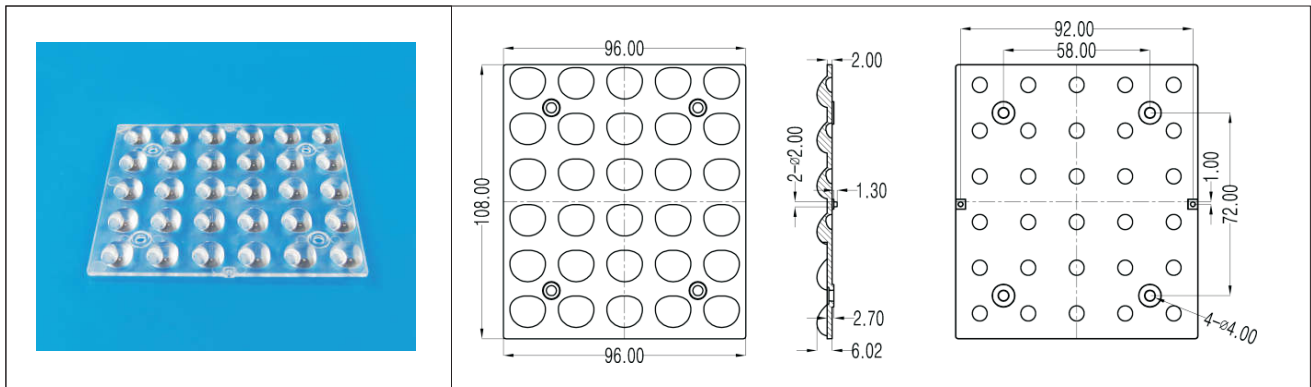
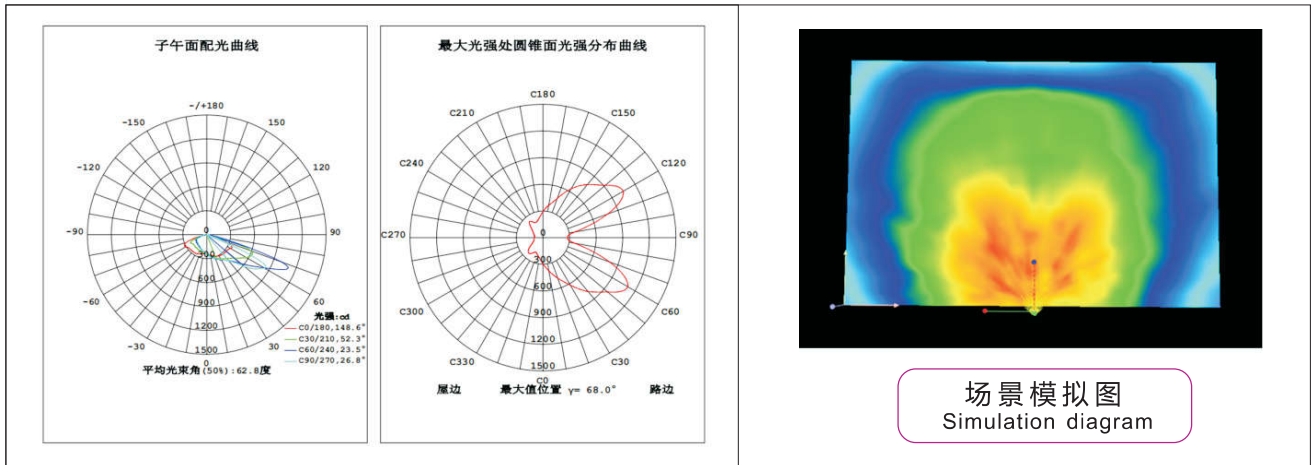
Stage lighting lens

光学设计、模具制造，专业定制光学透镜。



Optical design, mold manufacturing,
professional customization of optical lenses.

体育照明透镜(Sport lighting lens)

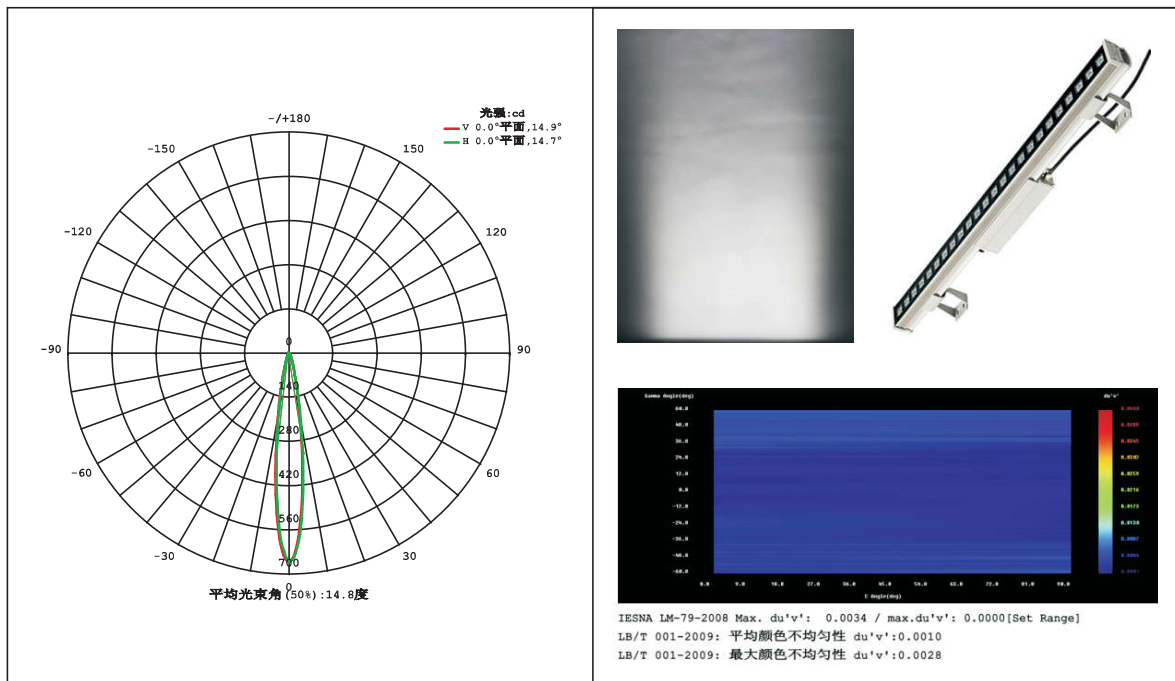


- 体育照明透镜广泛适用于篮球场、羽毛球场、排球场等。
- 根据客户不同的需求，不同的应用场景，做专业光学设计，定制光学模具。
- Sport lighting lenses are widely used in basketball court, badminton court, volleyball court, etc.
- According to the customers' different requirement and different application scene, we specialize in optical design and customized optical molds.


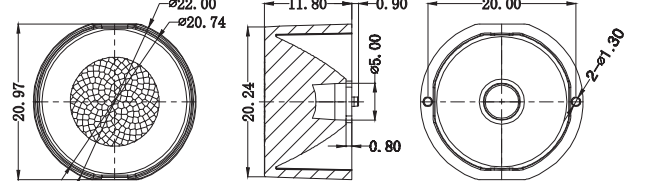

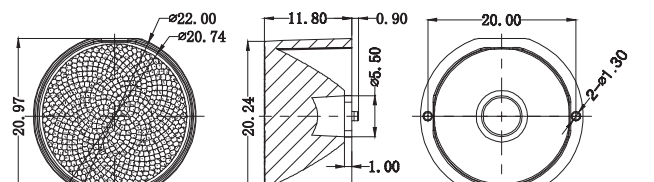

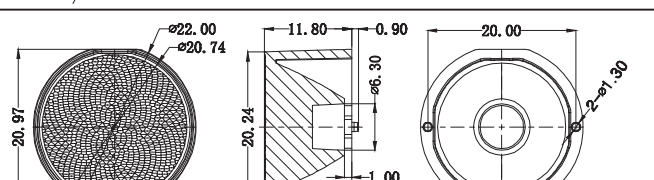

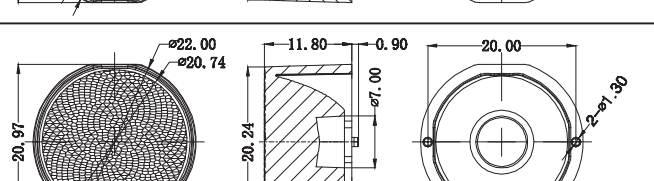

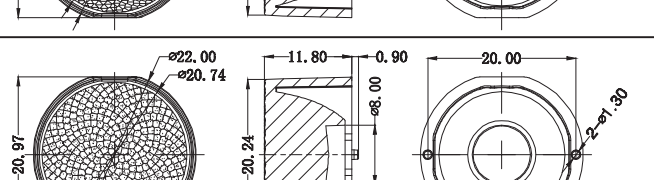

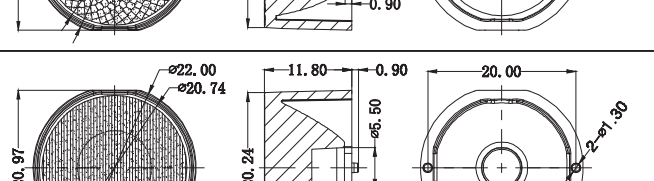

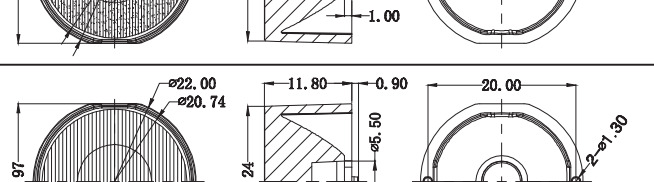

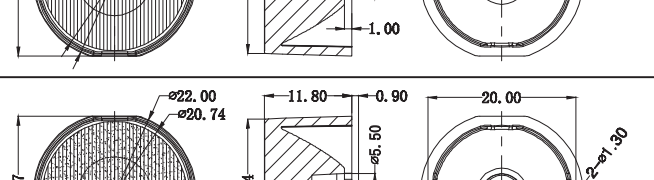
景观照明透镜 Landscape Lighting Lens

景观照明对城市的美化有着不可替代的作用，衡力光电在原有100多款景观照明透镜的基础上，又开发出一系列新的防水透镜。透镜表面的珠点不再是传统意义上的平均分配，而是由不同非球面的珠点通过渐变的形式组成，充分融合了光源色散、黄晕等现象，让光斑更为柔和、均匀；新款透镜的表面条纹也不再是普通的棱面，衡力光电的设计师们对光的拉伸做了深入细致的分析，发现瓦棱面和错位断裂棱面对光的控制将更加完美，特别是衡力光电今年推出的两款四方形瓦棱面透镜将这一概念做了充分的诠释。

Viewing of the irreplaceable status of landscape lighting for decorating city, we have developed a brand new series of waterproof lens with integrated design for it on the basis of our experience of over hundreds Lenses development before. The beaded pattern on the surface of lens was formed by different aspherical beaded in gradual change and full fusion of light source dispersion and yellow ring, cease to be the traditional equal distribution in order to achieve more soft and average in the light spot. The striped surface is not just the normal prismatic one because of after the deep research for the light stretch by our designer, they found the corrugate and stagger fracture surface can have a perfect control for the light, especially our 2 new square lenses with corrugated surface is being fully applied that research result.


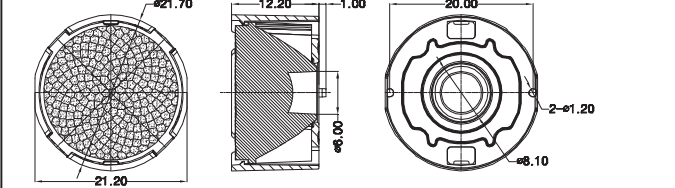

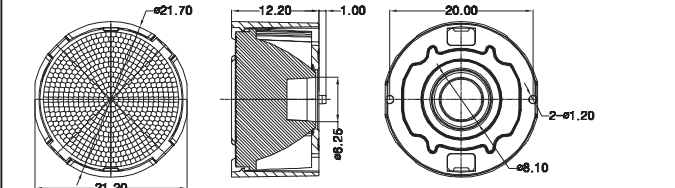

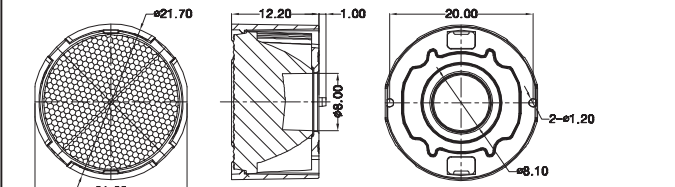

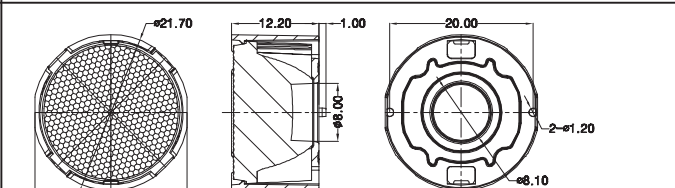

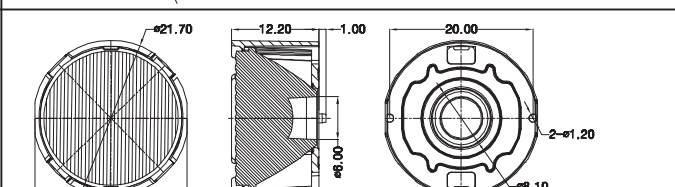

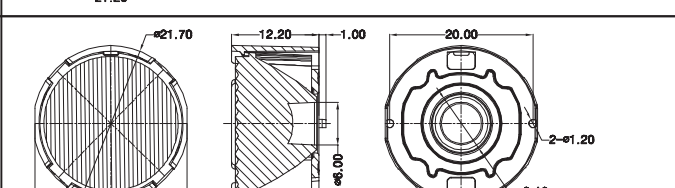

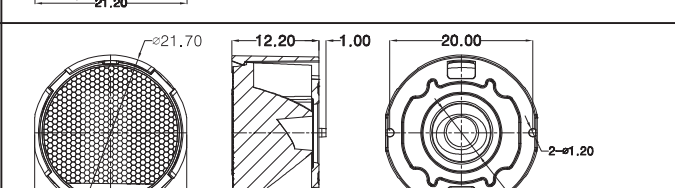

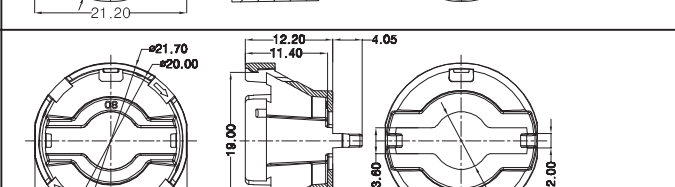


单色洗墙透镜(Fn系列) Single color wall wash lens (FN series)


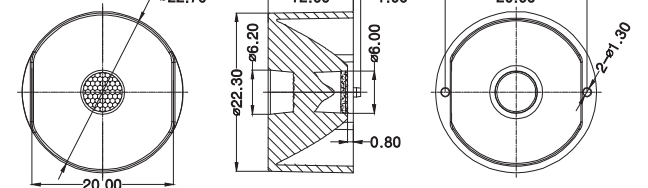

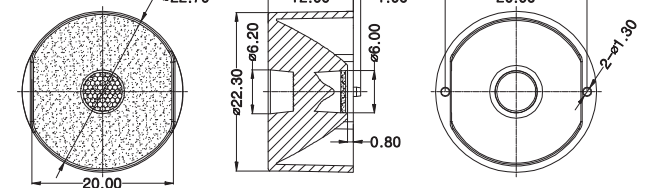

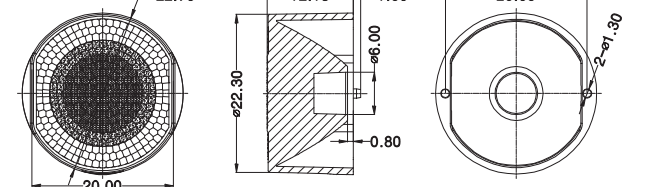

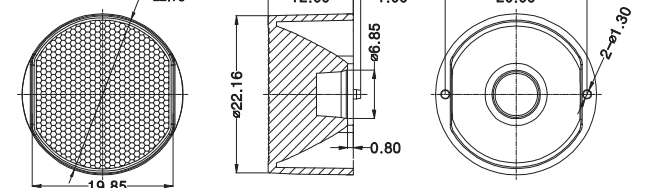

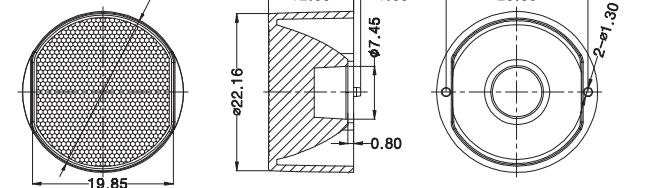

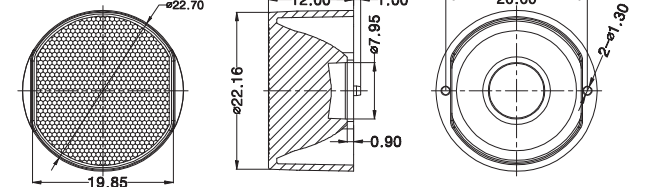

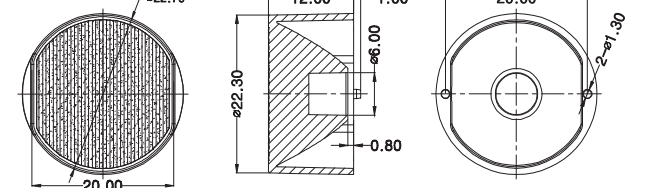

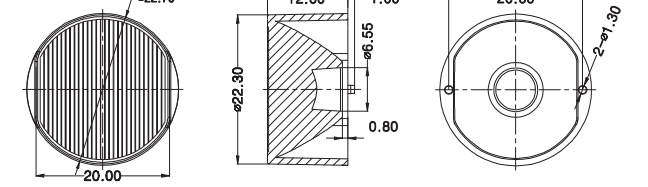
	<p>Item No.: HL-Fn10 Angle: 10° Surface: Beaded/珠面 Dim.: Ø22*H11.8mm LED Type: 3030/P7 Material: PMMA</p>	
	<p>Item No.: HL-Fn15 Angle: 15° Surface: Beaded/珠面 Dim.: Ø22*H11.8mm LED Type: 3030/P7 Material: PMMA</p>	
	<p>Item No.: HL-Fn30 Angle: 30° Surface: Beaded/珠面 Dim.: Ø22*H11.8mm LED Type: 3030/P7 Material: PMMA</p>	
	<p>Item No.: HL-Fn45 Angle: 45° Surface: Beaded/珠面 Dim.: Ø22*H11.8mm LED Type: 3030/P7 Material: PMMA</p>	
	<p>Item No.: HL-Fn60 Angle: 60° Surface: Beaded/珠面 Dim.: Ø22*H11.8mm LED Type: 3030/P7 Material: PMMA</p>	
	<p>Item No.: HL-Fn1530 Angle: 15*30° Surface: Striped/条纹 Dim.: Ø22*H11.8mm LED Type: 3030/P7 Material: PMMA</p>	
	<p>Item No.: HL-Fn1545 Angle: 15*45° Surface: Striped/条纹 Dim.: Ø22*H11.8mm LED Type: 3030/P7 Material: PMMA</p>	
	<p>Item No.: HL-Fn1560 Angle: 15*60° Surface: Striped/条纹 Dim.: Ø22*H11.8mm LED Type: 3030/P7 Material: PMMA</p>	

单色洗墙透镜(HK系列) Single color wall wash lens (HK series)

Landscape Lighting Lens

	<p>Item No.: HL-HK12 Angle: 12° Surface: Beaded/珠面 Dim.: Ø21.7*H12.2mm LED Type: 3030/3535/P7 Material: PMMA+PC</p>	
	<p>Item No.: HL-HK30 Angle: 30° Surface: Beaded/珠面 Dim.: Ø21.7*H12.2mm LED Type: 3030/3535/P7 Material: PMMA+PC</p>	
	<p>Item No.: HL-HK45 Angle: 45° Surface: Beaded/珠面 Dim.: Ø21.7*H12.2mm LED Type: 3030/3535/P7 Material: PMMA+PC</p>	
	<p>Item No.: HL-HK60 Angle: 60° Surface: Beaded/珠面 Dim.: Ø21.7*H12.2mm LED Type: 3030/3535/P7 Material: PMMA+PC</p>	
	<p>Item No.: HL-HK1530 Angle: 15°*30° Surface: Striped/条纹 Dim.: Ø21.7*H12.2mm LED Type: 3030/3535/P7 Material: PMMA+PC</p>	
	<p>Item No.: HL-HK2060 Angle: 20°*60° Surface: Striped/条纹 Dim.: Ø21.7*H12.2mm LED Type: 3030/3535/P7 Material: PMMA+PC</p>	
	<p>Item No.: HL-HK2545PL20 Angle: 24°*45° 偏光20° Surface: Beaded/珠面 Dim.: Ø21.7*H12.2mm LED Type: 3535 Material: PMMA+PC</p>	
	<p>Item No.: HL-HKZJ02 Dim.: Ø21.7*H12.2mm LED Type: 3030/3535/P7 Material: PC</p>	


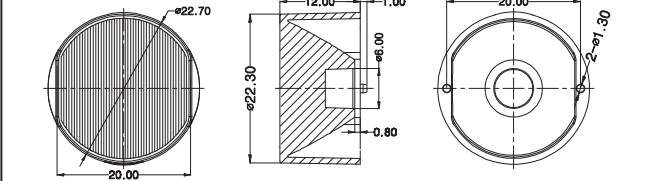

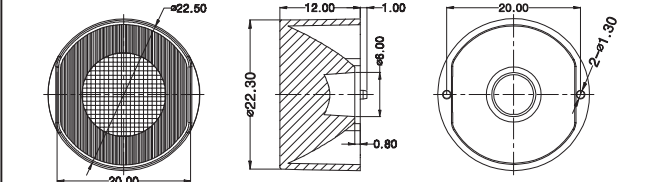

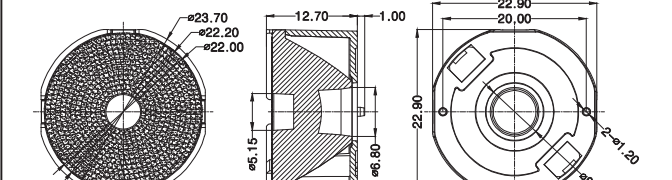

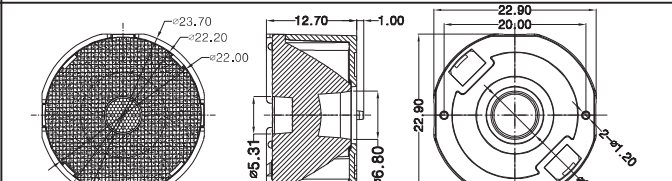

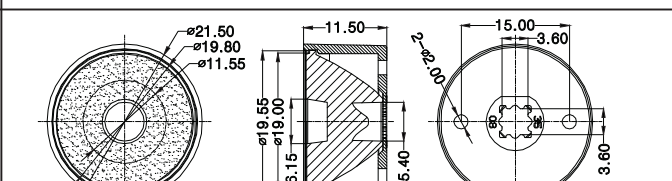

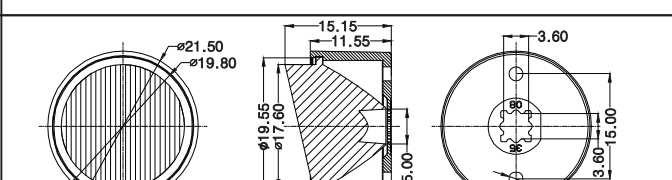

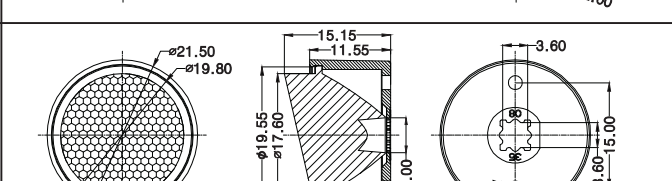

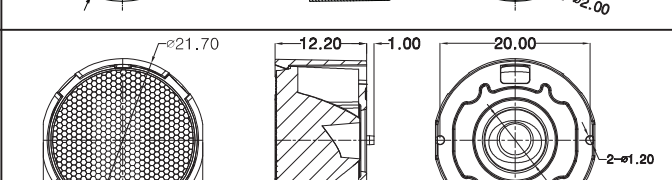
单色洗墙透镜(HG系列) Single color wall wash lens (HG series)

	<p>Item No.: HL-HGX06P Angle: 6° Surface: Mirrored/镜面 Dim.: Ø22.7*H12mm LED Type: 3535 Material: PMMA</p>	
	<p>Item No.: HL-HG08M Angle: 8° Surface: Frosting/雾面 Dim.: Ø22.7*H12mm LED Type: 3535 Material: PMMA</p>	
	<p>Item No.: HL-HG15 Angle: 15° Surface: Beaded/珠面 Dim.: Ø22.7*H12.15mm LED Type: 3030/3535 Material: PMMA</p>	
	<p>Item No.: HL-HG30 Angle: 30° Surface: Beaded/珠面 Dim.: Ø22.7*H12mm LED Type: 3030/3535 Material: PMMA</p>	
	<p>Item No.: HL-HG45 Angle: 45° Surface: Beaded/珠面 Dim.: Ø22.7*H12mm LED Type: 3030/3535 Material: PMMA</p>	
	<p>Item No.: HL-HG60 Angle: 60° Surface: Beaded/珠面 Dim.: Ø22.7*H12mm LED Type: 3030/3535 Material: PMMA</p>	
	<p>Item No.: HL-HGX1020 Angle: 10°20° Surface: Striped/条纹 Dim.: Ø22.7*H12mm LED Type: 3535 Material: PMMA</p>	
	<p>Item No.: HL-HG1525 Angle: 15°25° Surface: Striped/条纹 Dim.: Ø22.7*H12mm LED Type: 3030/3535 Material: PMMA</p>	


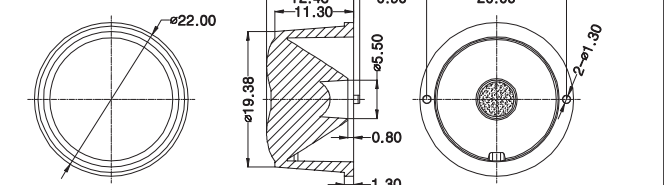

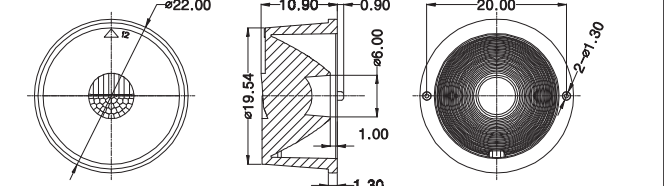

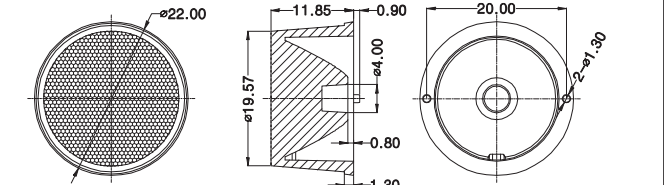

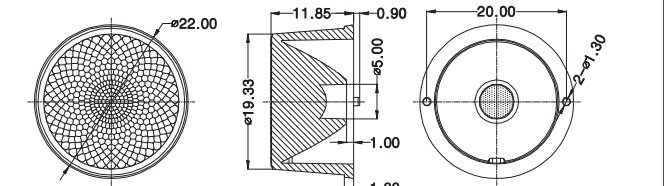

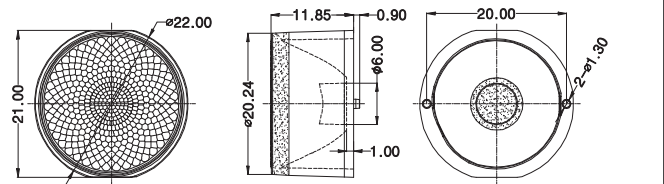

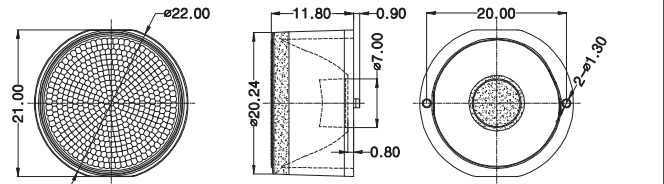

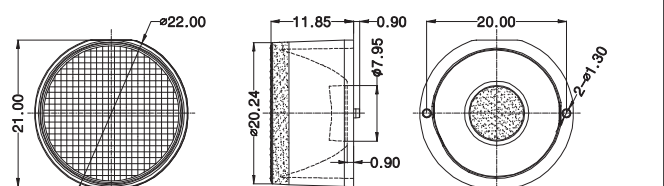

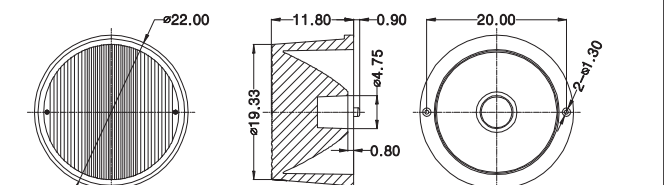
Landscape Lighting Lens

单色洗墙透镜(HG系列) Single color wall wash lens (HG series)

Landscape Lighting Lens

	<p>Item No.: HL-HG1535 Angle: 15°35° Surface: Striped/条纹 Dim.: Ø22.5*H12mm LED Type: 3030/3535 Material: PMMA</p>	
	<p>Item No.: HL-HG1560 Angle: 15°60° Surface: Striped/条纹 Dim.: Ø22.7*H12mm LED Type: 3030/3535 Material: PMMA</p>	
	<p>Item No.: HL-HG10-Z Angle: 10° Surface: Beaded/珠面 Dim.: Ø23.7*H12.7mm LED Type: 3030/3535 Material: PMMA+PC</p>	
	<p>Item No.: HL-HG1020-Z Angle: 10°20° Surface: Beaded/珠面 Dim.: Ø23.7*H12.7mm LED Type: 3030/3535 Material: PMMA+PC</p>	
	<p>Item No.: HL-XP08D Angle: 8° Surface: Frosting/雾面 Dim.: Ø21.5*H11.5mm LED Type: 3535 Material: PMMA+PC</p>	
	<p>Item No.: HL-XP012040PX Angle: 20°40° 偏光16° Surface: Striped/条纹 Dim.: Ø21.5*H15.15mm LED Type: 3535 Material: PMMA+PC</p>	
	<p>Item No.: HL-XP0130PL Angle: 30° 偏光16° Surface: Beaded/珠面 Dim.: Ø21.5*H15.15mm LED Type: 3535 Material: PMMA+PC</p>	
	<p>Item No.: HL-HK2545PL20 Angle: 24°45° 偏光20° Surface: Beaded/珠面 Dim.: Ø21.7*H12.2mm LED Type: 3535 Material: PMMA+PC</p>	


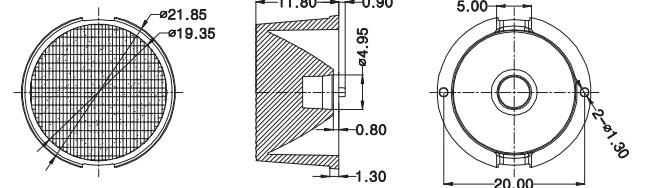

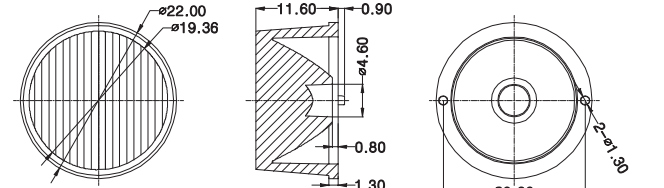

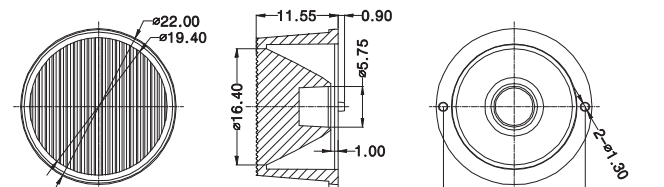

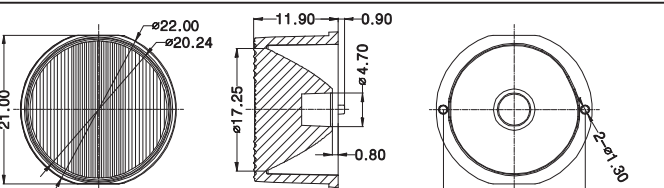

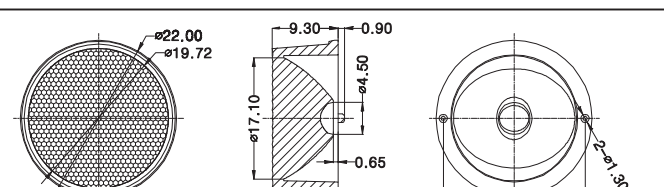

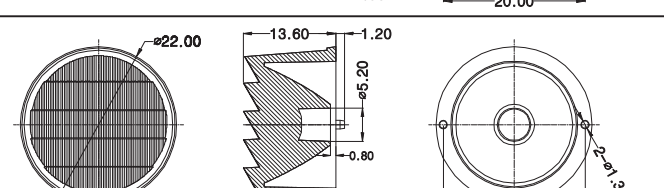

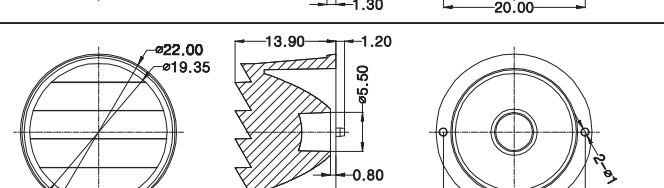

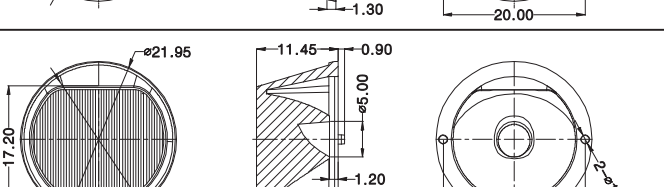
单色洗墙透镜 (FL系列) Single color wall wash lens (FL series)

	<p>Item No.: HL-FL06P Angle: 6° Surface: Mirrored/镜面 Dim.: Ø22.7*H12.45mm LED Type: 3535 Material: PMMA</p>	
	<p>Item No.: HL-FX12 Angle: 12° Surface: Frosting/雾面 Dim.: Ø22*H10.9mm LED Type: 3535 Material: PMMA</p>	
	<p>Item No.: HL-FL15 Angle: 15° Surface: Beaded/珠面 Dim.: Ø22*H11.85mm LED Type: 3030/3535 Material: PMMA</p>	
	<p>Item No.: HL-FL20 Angle: 20° Surface: Beaded/珠面 Dim.: Ø22*H11.85mm LED Type: 3030/3535 Material: PMMA</p>	
	<p>Item No.: HL-FL30-A1 Angle: 30° Surface: Beaded/珠面 Dim.: Ø22*H11.85mm LED Type: 3030/3535 Material: PMMA</p>	
	<p>Item No.: HL-FL45-A1 Angle: 45° Surface: Beaded/珠面 Dim.: Ø22*H11.8mm LED Type: 3030/3535 Material: PMMA</p>	
	<p>Item No.: HL-FL60-A1 Angle: 60° Surface: Beaded/珠面 Dim.: Ø22*H11.85mm LED Type: 3030/3535 Material: PMMA</p>	
	<p>Item No.: HL-FX1030 Angle: 15°30' Surface: Striped/条纹 Dim.: Ø22*H11.8mm LED Type: 3030/3535 Material: PMMA</p>	


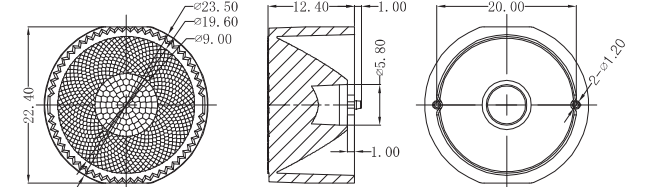

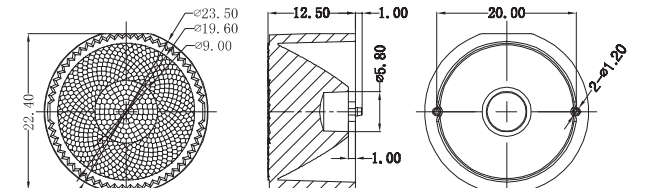

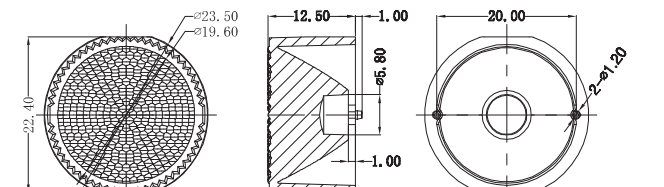

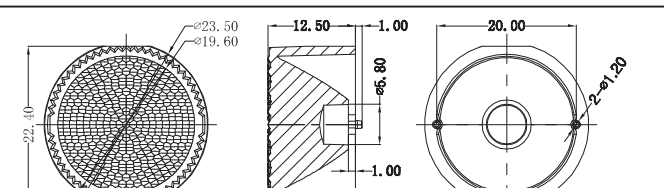

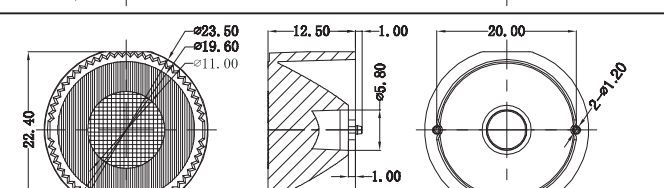

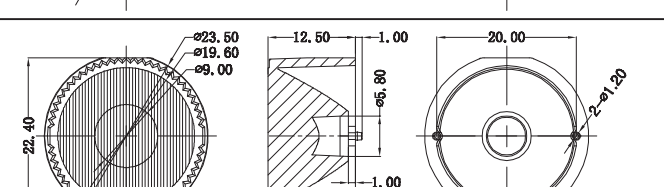
Landscape Lighting Lens

单色洗墙透镜 (FL系列) Single color wall wash lens (FL series)

Landscape Lighting Lens

	<p>Item No.: HL-FL1525Q Angle: 15°*25° Surface: Striped/条纹 Dim.: Ø21.85*H11.8mm LED Type: 3030/3535 Material: PMMA</p>	
	<p>Item No.: HL-FS011080XM Angle: 20°*40° Surface: Striped/条纹 Dim.: Ø22*H11.6mm LED Type: 3030/3535 Material: PMMA</p>	
	<p>Item No.: HL-FX1850M Angle: 18°*50° Surface: Striped/条纹 Dim.: Ø22*H11.55mm LED Type: 3030/3535 Material: PMMA</p>	
	<p>Item No.: HL-FX1060M-A2 Angle: 15°*45° Surface: Striped/条纹 Dim.: Ø22*H11.9mm LED Type: 3030/3535 Material: PMMA</p>	
	<p>Item No.: HL-FX3060 Angle: 30°*60° Surface: Beaded/珠面 Dim.: Ø22*H9.3mm LED Type: 3030/3535 Material: PMMA</p>	
	<p>Item No.: HL-PX2040 Angle: 20°*40° 偏光20° Surface: Striped/条纹 Dim.: Ø22*H13.6mm LED Type: 3535 Material: PMMA</p>	
	<p>Item No.: HL-PX40 Angle: 40° 偏光20° Surface: Striped/条纹 Dim.: Ø22*H13.9mm LED Type: 3030/3535 Material: PMMA</p>	
	<p>Item No.: HL-GN2545 Angle: 25°*45° 偏光10° Surface: Striped/条纹 Dim.: Ø21.95*H11.45mm LED Type: 3030/3535 Material: PMMA</p>	

混光洗墙透镜(HD系列) Mixed color RGBW wall wash lens (HD series)


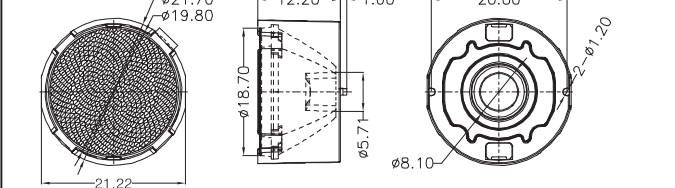

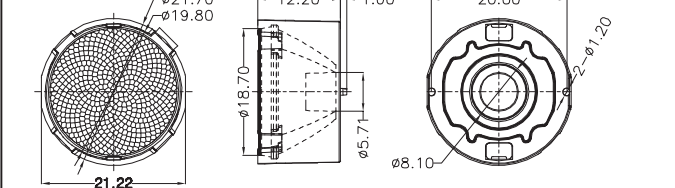

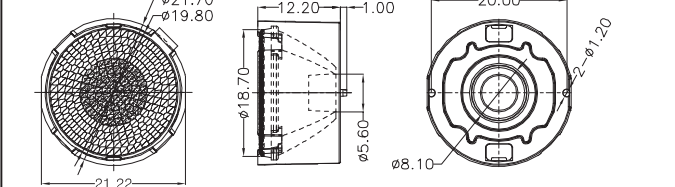

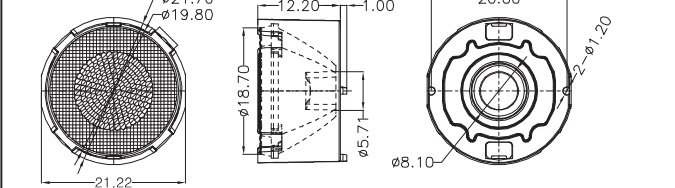

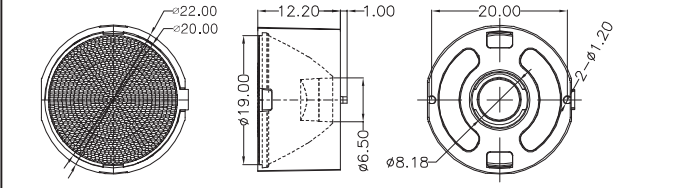

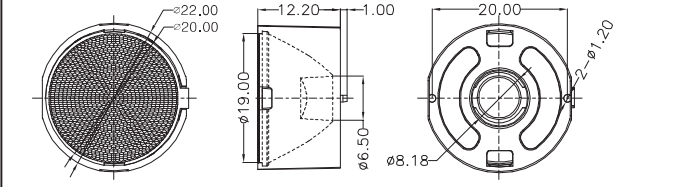

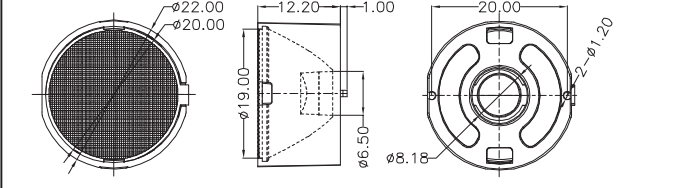

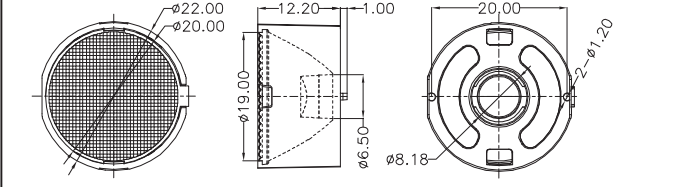
	<p>Item No.: HL-HD15 Angle: 15° Surface: Beaded/珠面 Dim.: Ø23.5*H12.4mm LED Type: 3535RGBW 3030RGBW Material: PMMA</p>	
	<p>Item No.: HL-HD30 Angle: 30° Surface: Beaded/珠面 Dim.: Ø23.5*H12.5mm LED Type: 3535RGBW 3030RGBW Material: PMMA</p>	
	<p>Item No.: HL-HD45 Angle: 45° Surface: Beaded/珠面 Dim.: Ø23.5*H12.5mm LED Type: 3535RGBW 3030RGBW Material: PMMA</p>	
	<p>Item No.: HL-HD60 Angle: 60° Surface: Beaded/珠面 Dim.: Ø23.5*H12.5mm LED Type: 3535RGBW 3030RGBW Material: PMMA</p>	
	<p>Item No.: HL-HD1525 Angle: 15*25° Surface: Striped/条纹 Dim.: Ø23.5*H12.5mm LED Type: 3535RGBW 3030RGBW Material: PMMA</p>	
	<p>Item No.: HL-HD1550 Angle: 15*50° Surface: Striped/条纹 Dim.: Ø23.5*H12.5mm LED Type: 3535RGBW 3030RGBW Material: PMMA</p>	

Landscape Lighting Lens


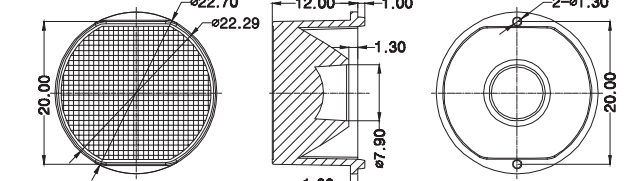

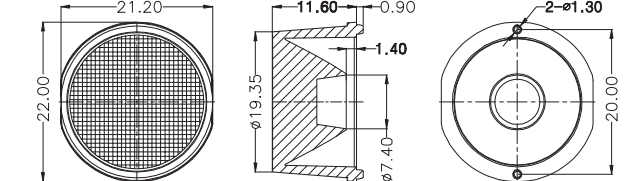

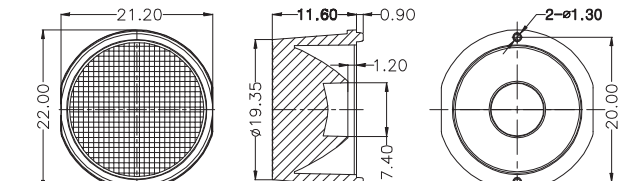

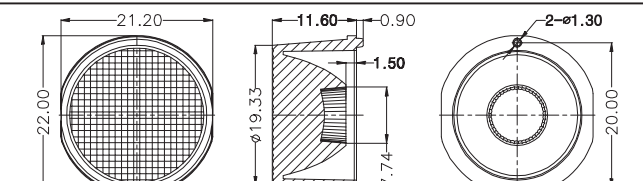

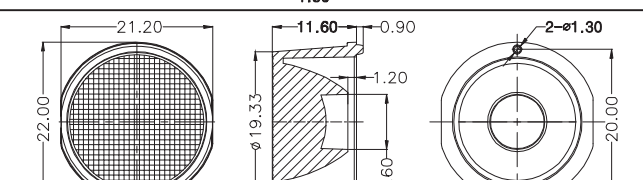

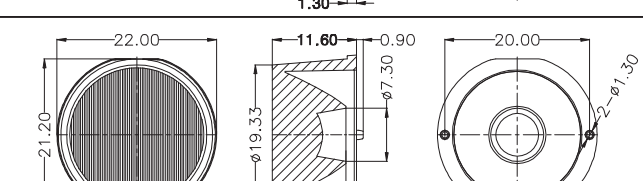

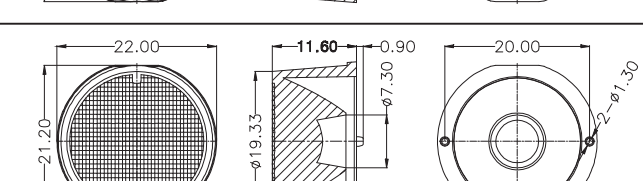

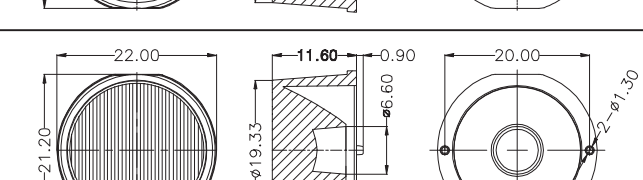
郑重声明：HD系列透镜已申请专利保护，仿冒必究！
 The company's record: HD series lenses had applied for patent protection,
 counterfeiting is not permission!

混光洗墙透镜(HT/HC系列) Mixed color RGBW wall wash lens (HT/HC series)

Landscape Lighting Lens

	<p>Item No.: HL-HT15 Angle: 15° Surface: Beaded/珠面 Dim.: Ø21.7*H12.2mm LED Type: 3535RGBW 3030RGBW Material: PMMA+PC</p>	
	<p>Item No.: HL-HT25 Angle: 25° Surface: Beaded/珠面 Dim.: Ø21.7*H12.2mm LED Type: 3535RGBW 3030RGBW Material: PMMA+PC</p>	
	<p>Item No.: HL-HT60 Angle: 60° Surface: Beaded/珠面 Dim.: Ø21.7*H12.2mm LED Type: 3535RGBW 3030RGBW Material: PMMA+PC</p>	
	<p>Item No.: HL-HT1530 Angle: 15*30° Surface: Beaded/珠面 Dim.: Ø21.7*H12.2mm LED Type: 3535RGBW 3030RGBW Material: PMMA+PC</p>	
	<p>Item No.: HL-HC20 Angle: 20° Surface: Beaded/珠面 Dim.: Ø22*H12.2mm LED Type: 5050RGBW Material: PMMA+PC</p>	
	<p>Item No.: HL-HC30 Angle: 30° Surface: Beaded/珠面 Dim.: Ø22*H12.2mm LED Type: 5050RGBW Material: PMMA+PC</p>	
	<p>Item No.: HL-HC1530 Angle: 15*30° Surface: Beaded/珠面 Dim.: Ø22*H12.2mm LED Type: 5050RGBW Material: PMMA+PC</p>	
	<p>Item No.: HL-HC2545 Angle: 25*45° Surface: Beaded/珠面 Dim.: Ø22*H12.2mm LED Type: 5050RGBW Material: PMMA+PC</p>	


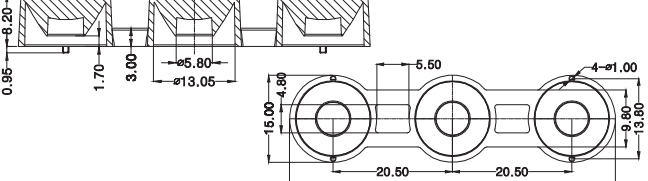

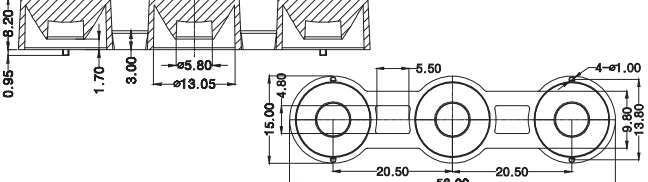

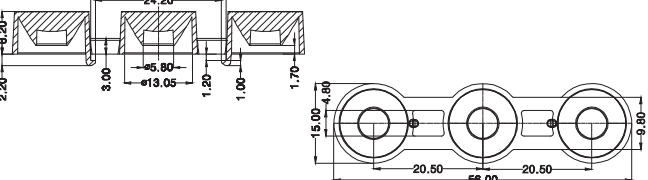

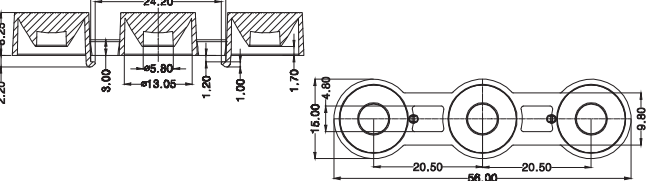

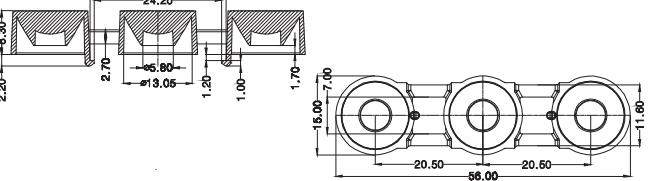

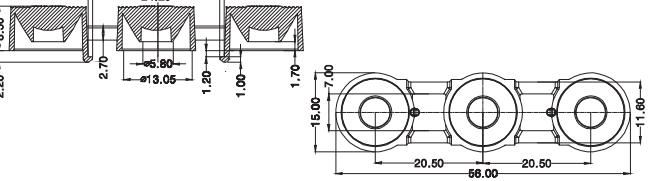

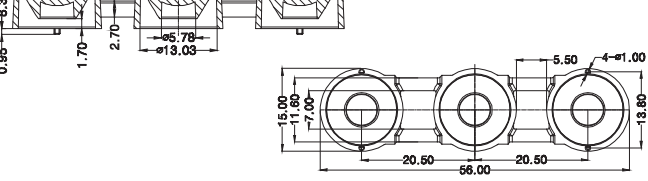

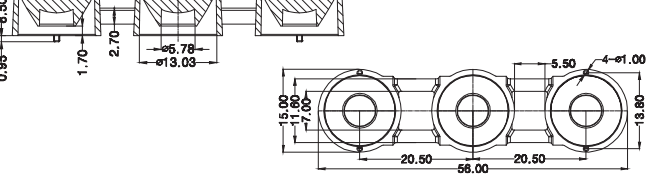
混光洗墙透镜(HS系列) Mixed color RGBW wall wash lens (HS series)

	<p>Item No.: HL-HS15 Angle: 15° Surface: Beaded/珠面 Dim.: Ø22.7*H12mm LED Type: 5050RGBW Material: PMMA</p>	
	<p>Item No.: HL-HS20N Angle: 20° Surface: Beaded/珠面 Dim.: L22**W21.2*H11.6mm LED Type: 5050RGBW Material: PMMA</p>	
	<p>Item No.: HL-HS30N Angle: 30° Surface: Beaded/珠面 Dim.: L22**W21.2*H11.6mm LED Type: 5050RGBW Material: PMMA</p>	
	<p>Item No.: HL-HS45N Angle: 45° Surface: Beaded/珠面 Dim.: L22**W21.2*H11.6mm LED Type: 5050RGBW Material: PMMA</p>	
	<p>Item No.: HL-HS60N Angle: 60° Surface: Beaded/珠面 Dim.: L22**W21.2*H11.6mm LED Type: 5050RGBW Material: PMMA</p>	
	<p>Item No.: HL-HS1525N Angle: 25*30° Surface: Striped/条纹 Dim.: L22**W21.2*H11.6mm LED Type: 5050RGBW Material: PMMA</p>	
	<p>Item No.: HL-HS2045N Angle: 25*40° Surface: Beaded/珠面 Dim.: L22**W21.2*H11.6mm LED Type: 5050RGBW Material: PMMA</p>	
	<p>Item No.: HL-HS1060N Angle: 25*45° Surface: Striped/条纹 Dim.: L22**W21.2*H11.6mm LED Type: 5050RGBW Material: PMMA</p>	


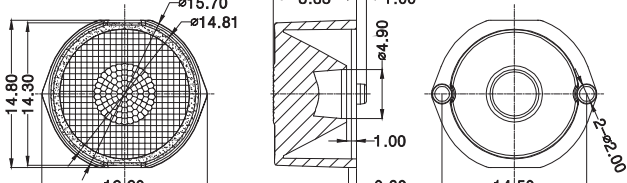

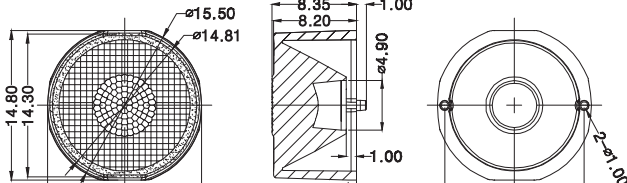

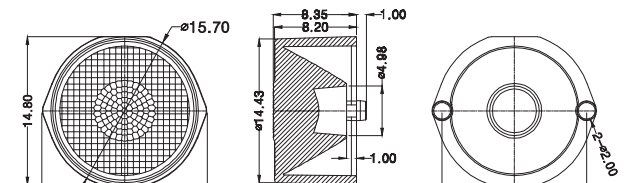

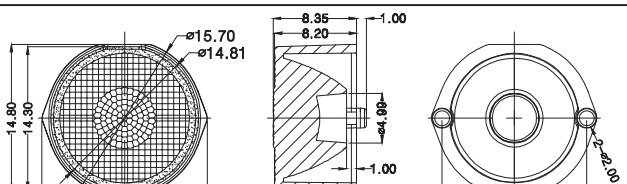

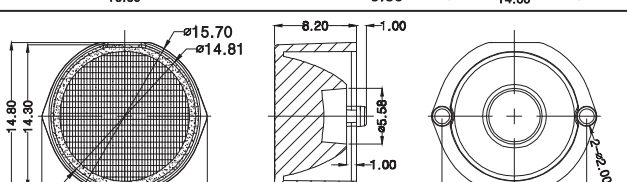

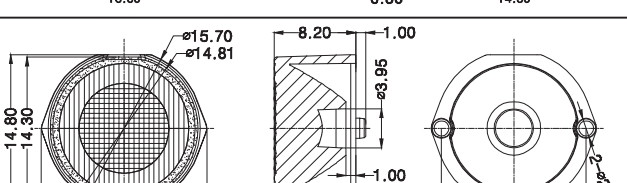

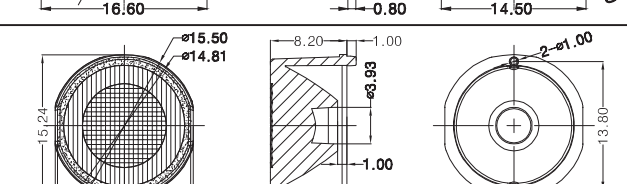

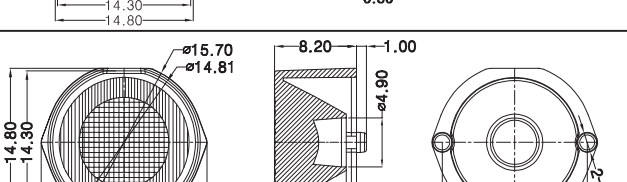
Landscape Lighting Lens

线条灯透镜(3合1系列) Linear lens (Linear 3 in 1 series)

Landscape Lighting Lens

	<p>Item No.: HL-FS3X1-30D Angle: 30° Surface: Beaded/珠面 Dim.: L56*W15*H8.2mm LED Type: 2835/3030 Material: PC</p>	
	<p>Item No.: HL-FS3X1-2545X Angle: 25°45° Surface: Striped/条纹 Dim.: L56*W15*H8.2mm LED Type: 2835/3030 Material: PC</p>	
	<p>Item No.: HL-3X1-30D Angle: 30° Surface: Beaded/珠面 Dim.: L56*W15*H8.2mm LED Type: 2835/3030 Material: PC</p>	
	<p>Item No.: HL-3X1-2545 Angle: 25°45° Surface: Striped/条纹 Dim.: L56*W15*H8.25mm LED Type: 2835/3030 Material: PC</p>	
	<p>Item No.: HL-3X1-30D-5050 Angle: 30° Surface: Beaded/珠面 Dim.: L56*W15*H8.3mm LED Type: 5050RGBW 3535RGBW Material: PC</p>	
	<p>Item No.: HL-3X1-2545-5050 Angle: 25°45° Surface: Striped/条纹 Dim.: L56*W15*H8.5mm LED Type: 5050RGBW 3535RGBW Material: PC</p>	
	<p>Item No.: HL-FS3X1-30D-5050 Angle: 30° Surface: Beaded/珠面 Dim.: L56*W15*H8.3mm LED Type: 5050RGBW 3535RGBW Material: PC</p>	
	<p>Item No.: HL-FS3X1-2545-5050 Angle: 25°45° Surface: Striped/条纹 Dim.: L56*W15*H8.3mm LED Type: 5050RGBW 3535RGBW Material: PC</p>	


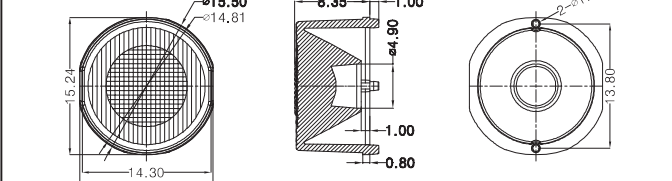

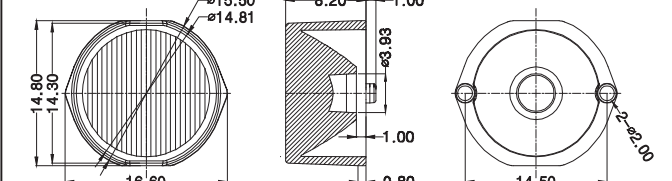

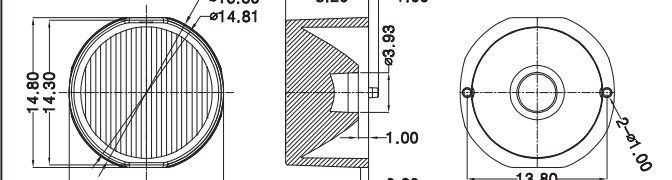

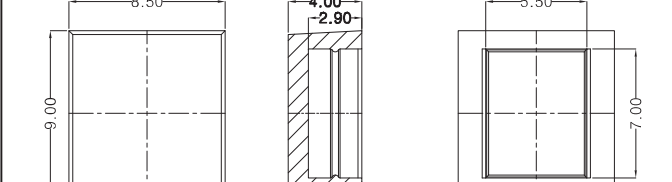

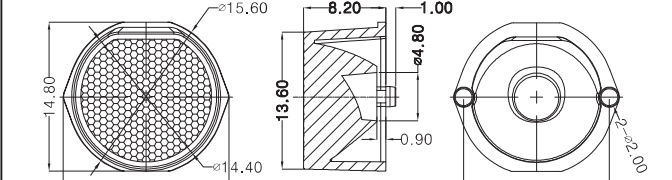

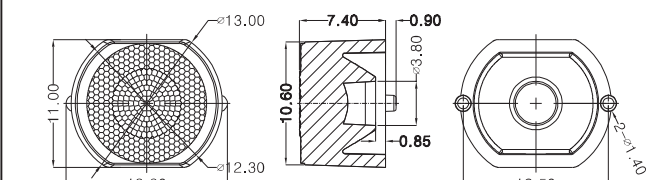

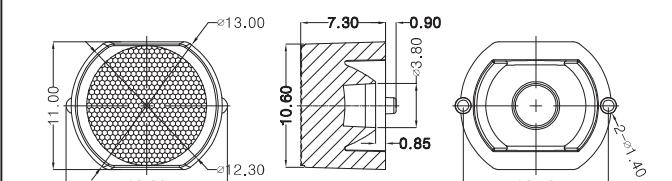

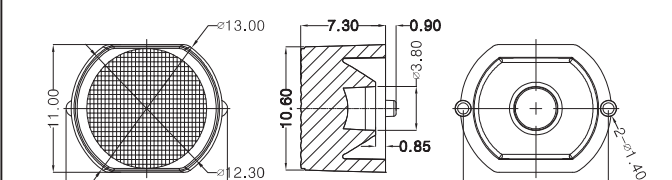
线条灯透镜(SG系列) Linear lens (SG series)

	<p>Item No.: HL-SG20 Angle: 20° Surface: Beaded/珠面 Dim.: Ø15.7*H8.35mm LED Type: 2835/3030 Material: PC</p>	
	<p>Item No.: HL-SG20-S Angle: 20° Surface: Beaded/珠面 Dim.: Ø15.5*H8.35mm LED Type: 2835/3030 Material: PC</p>	
	<p>Item No.: HL-SG30 Angle: 30° Surface: Beaded/珠面 Dim.: Ø15.7*H8.35mm LED Type: 2835/3030 Material: PC</p>	
	<p>Item No.: HL-SG45 Angle: 45° Surface: Beaded/珠面 Dim.: Ø15.7*H8.35mm LED Type: 2835/3030 Material: PC</p>	
	<p>Item No.: HL-SG60 Angle: 60° Surface: Beaded/珠面 Dim.: Ø15.7*H8.2mm LED Type: 2835/3030 Material: PC</p>	
	<p>Item No.: HL-SG2030-V Angle: 20*30° Surface: Striped/条纹 Dim.: Ø15.7*H8.2mm LED Type: 2835/3030 Material: PC</p>	
	<p>Item No.: HL-SG2030-SH Angle: 20*30° Surface: Striped/条纹 Dim.: Ø15.5*H8.2mm LED Type: 2835/3030 Material: PC</p>	
	<p>Item No.: HL-SG2036XM-V Angle: 20*30° Surface: Striped/条纹 Dim.: Ø15.7*H8.2mm LED Type: 2835/3030 Material: PC</p>	


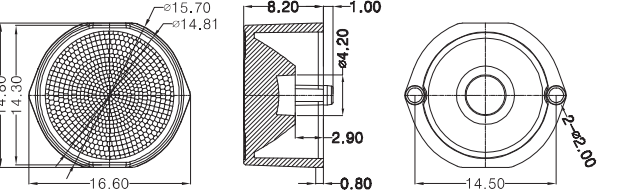

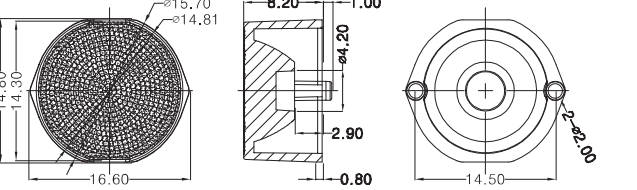

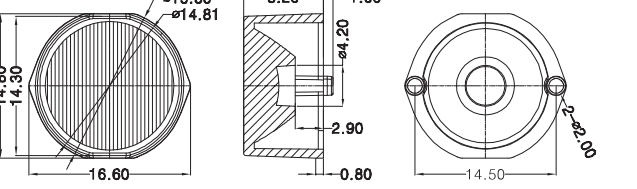

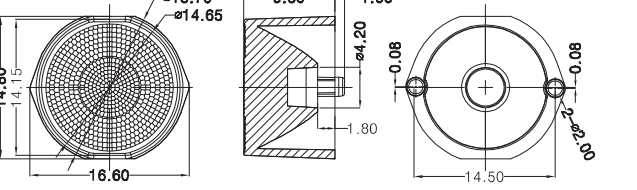

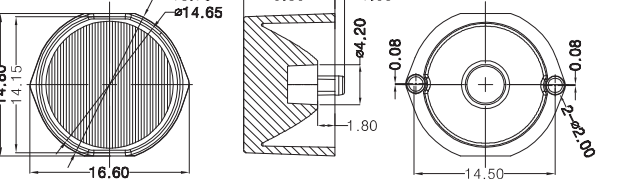

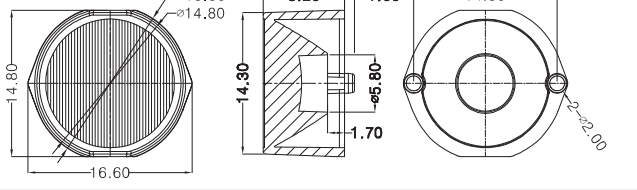

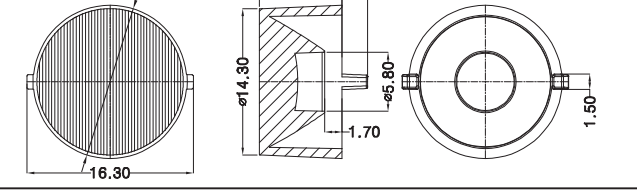

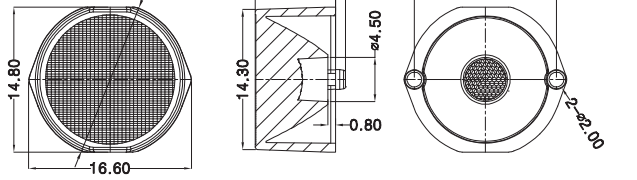
Landscape Lighting Lens

线条灯透镜(SG系列) Linear lens (SG series)

Landscape Lighting Lens

	<p>Item No.: HL-SG2036XM-SH Angle: 20°30° Surface: Striped/条纹 Dim.: Ø15.5*H8.35mm LED Type: 2835/3030 Material: PC</p>	
	<p>Item No.: HL-SG2050-V Angle: 20°50° Surface: Striped/条纹 Dim.: Ø15.5*H8.2mm LED Type: 2835/3030 Material: PC</p>	
	<p>Item No.: HL-SG2050-SV Angle: 20°50° Surface: Striped/条纹 Dim.: Ø15.5*H8.2mm LED Type: 2835/3030 Material: PC</p>	
	<p>Item No.: HL-5050FSG Angle: 120° Surface: Mirrored/镜面 Dim.: L9.0°W8.5*H4.0mm LED Type: 5050 Material: PC</p>	
	<p>Item No.: HL-SG45PL Angle: 45° 偏光15° Surface: Beaded/珠面 Dim.: Ø15.6*H8.2mm LED Type: 2835/3030 Material: PC</p>	
	<p>Item No.: HL-SSL30 Angle: 30° Surface: Beaded/珠面 Dim.: Ø13*H7.4mm LED Type: 2835 Material: PC</p>	
	<p>Item No.: HL-SSL60 Angle: 60° Surface: Beaded/珠面 Dim.: Ø13*H7.3mm LED Type: 2835 Material: PC</p>	
	<p>Item No.: HL-SSL3045 Angle: 30°45° Surface: Beaded/珠面 Dim.: Ø13*H7.3mm LED Type: 2835 Material: PC</p>	


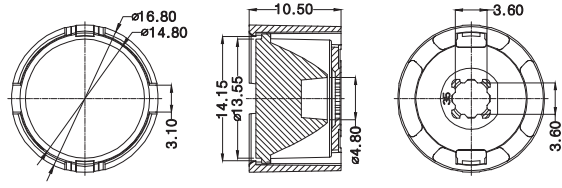

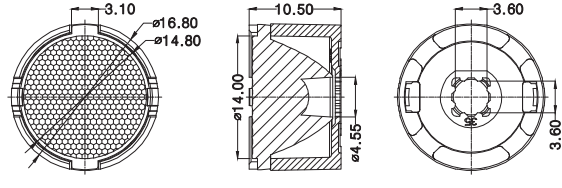
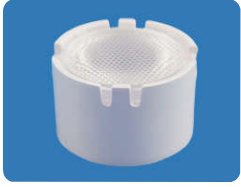
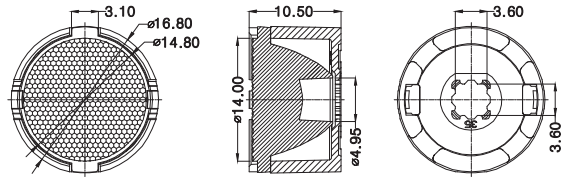

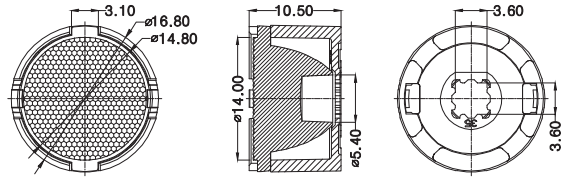

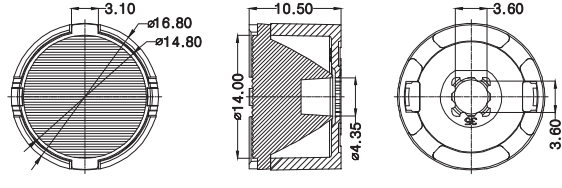

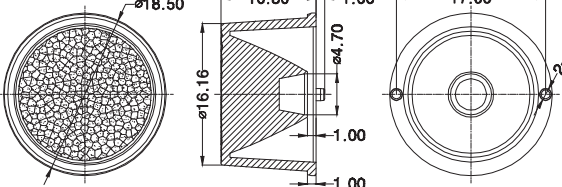

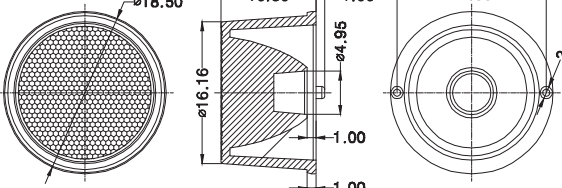

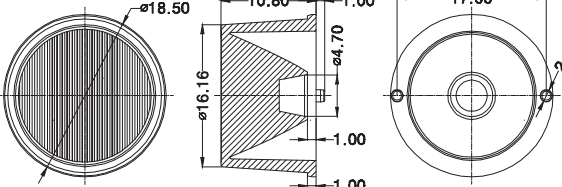
线条灯透镜(混光系列) Linear lens (Mixed color RGBW seires)

	<p>Item No.: HL-SH20C Angle: 20° Surface: Beaded/珠面 Dim.: Ø15.7*H8.2mm LED Type: 3535-RGBW Material: PC</p>	
	<p>Item No.: HL-SH45C Angle: 45° Surface: Beaded/珠面 Dim.: Ø15.7*H8.2mm LED Type: 3535-RGBW Material: PC</p>	
	<p>Item No.: HL-SH2050C-V Angle: 20*50° Surface: Striped/条纹 Dim.: Ø15.5*H8.2mm LED Type: 3535-RGBW Material: PC</p>	
	<p>Item No.: HL-SC30 Angle: 30° Surface: Beaded/珠面 Dim.: Ø15.7*H9.5mm LED Type: 5050-RGBW Material: PC</p>	
	<p>Item No.: HL-SC3045-V Angle: 30*45° Surface: Striped/条纹 Dim.: Ø15.7*H9.5mm LED Type: 5050-RGBW Material: PC</p>	
	<p>Item No.: HL-SG2045C-V Angle: 35*50° Surface: Striped/条纹 Dim.: Ø15.5*H8.2mm LED Type: 3535RGB Material: PC</p>	
	<p>Item No.: HL-SX2045-1508 Angle: 35*50° Surface: Striped/条纹 Dim.: Ø15.0*H8.1mm LED Type: 3535RGB Material: PC</p>	
	<p>Item No.: HL-SH2045C-V Angle: 25*45° Surface: Beaded/珠面 Dim.: Ø15.7*H8.2mm LED Type: 3030RGBW Material: PC</p>	


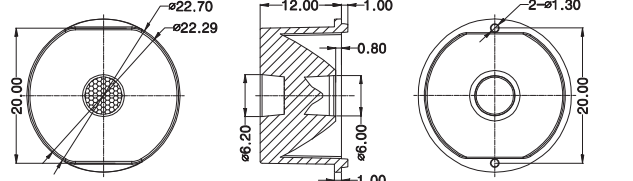

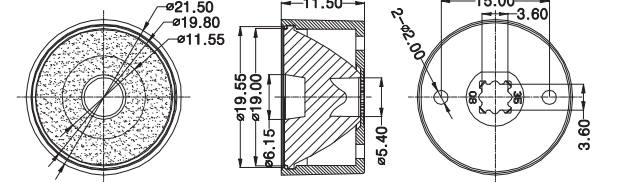

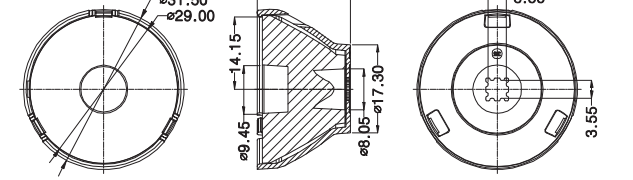

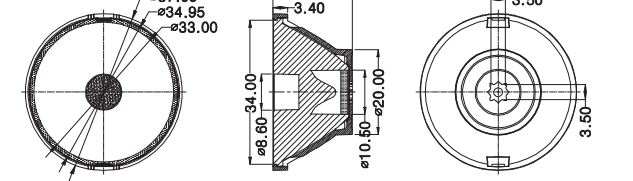

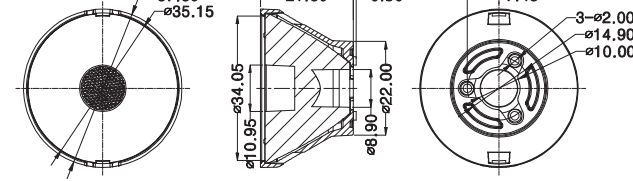

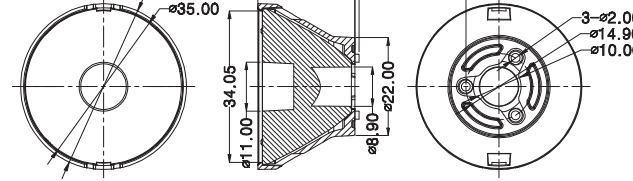

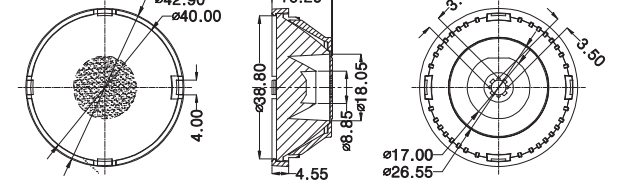

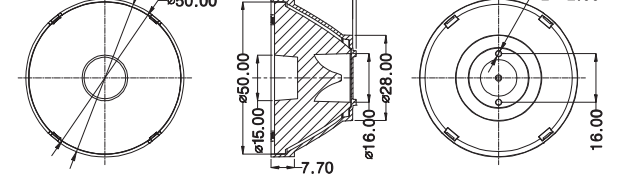
Landscape Lighting Lens

MINI透镜 MINI lens

Landscape Lighting Lens


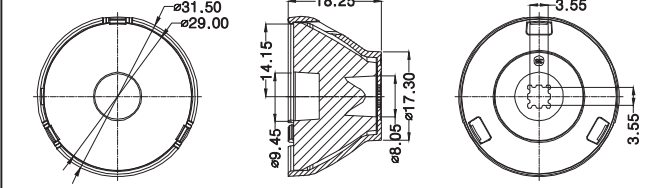

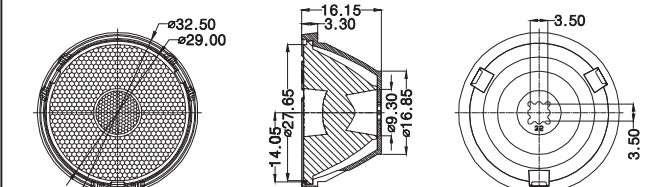

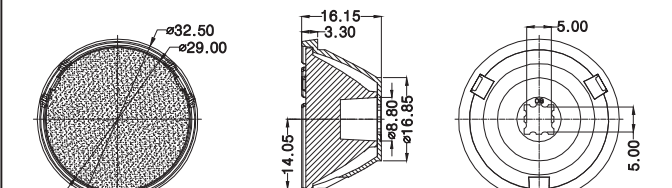

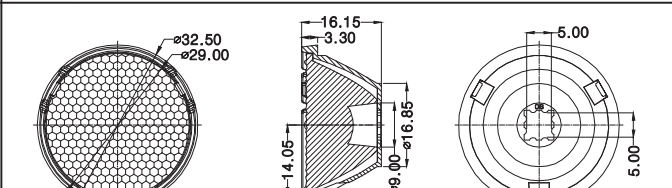

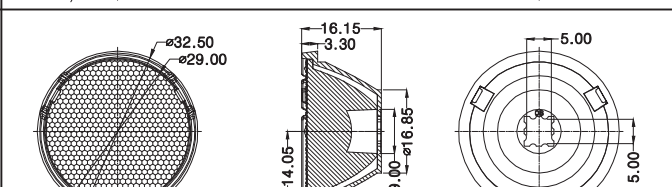

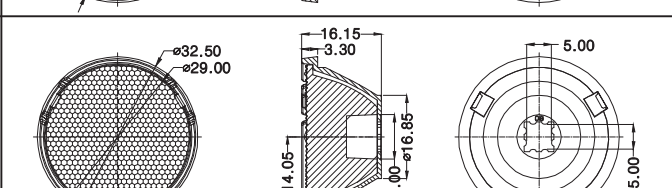

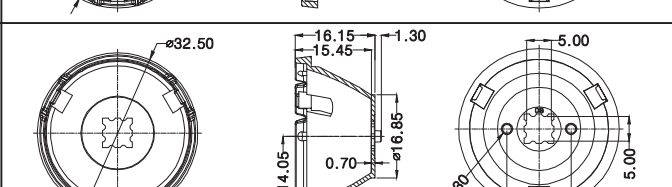
	<p>Item No.: HL-XP0115P-1509 Angle: 15° Surface: Mirrored/镜面 Dim.: Ø16.8*H10.5mm LED Type: 3535 Material: PMMA+PC</p>	
	<p>Item No.: HL-XP0125L-1509N Angle: 25° Surface: Beaded/珠面 Dim.: Ø16.8*H10.5mm LED Type: 3535 Material: PMMA+PC</p>	
	<p>Item No.: HL-XP0140L-1509 Angle: 40° Surface: Beaded/珠面 Dim.: Ø16.8*H10.5mm LED Type: 3030/3535 Material: PMMA+PC</p>	
	<p>Item No.: HL-XP0160L-1509 Angle: 60° Surface: Beaded/珠面 Dim.: Ø16.8*H10.5mm LED Type: 3030/3535 Material: PMMA+PC</p>	
	<p>Item No.: HL-XP011545XM-1509 Angle: 15°40° Surface: Striped/条纹 Dim.: Ø16.8*H10.5mm LED Type: 3030/3535 Material: PMMA+PC</p>	
	<p>Item No.: HL-ET20L Angle: 20° Surface: Beaded/珠面 Dim.: Ø18.5*H10.8mm LED Type: 3030/3535 Material: PMMA</p>	
	<p>Item No.: HL-ET45L Angle: 45° Surface: Beaded/珠面 Dim.: Ø18.5*H10.8mm LED Type: 3030/3535 Material: PMMA</p>	
	<p>Item No.: HL-ET1550X Angle: 20°45° Surface: Striped/条纹 Dim.: Ø18.5*H10.8mm LED Type: 3030/3535 Material: PMMA</p>	

投光灯透镜(小角度系列) Flood light lens (Small angle series)


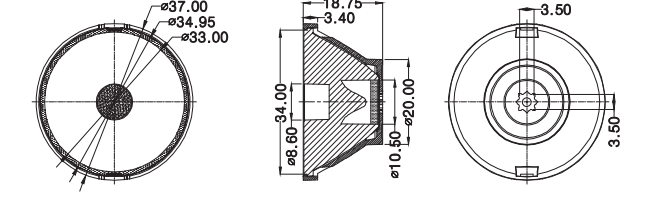

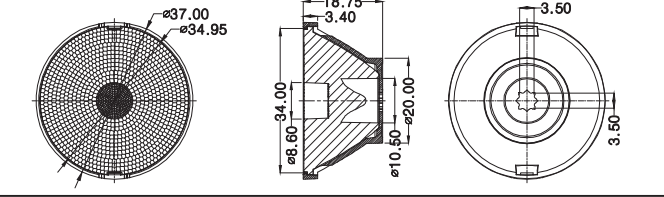

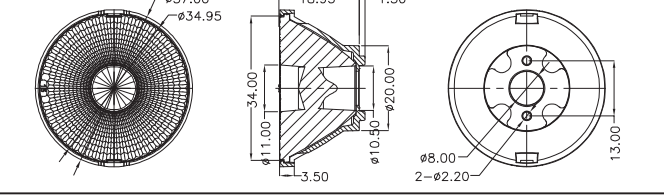

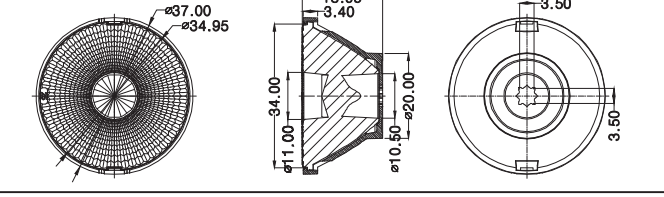

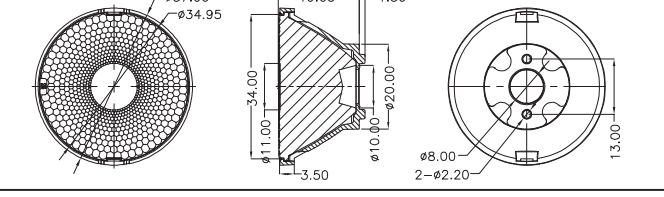

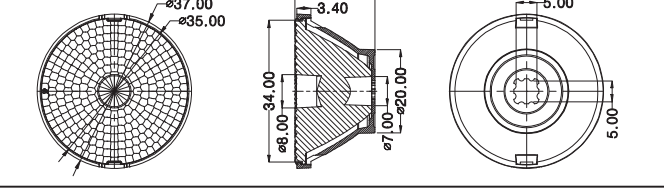

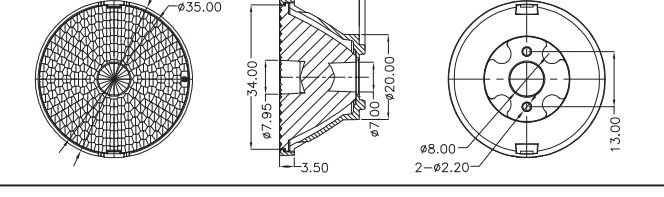

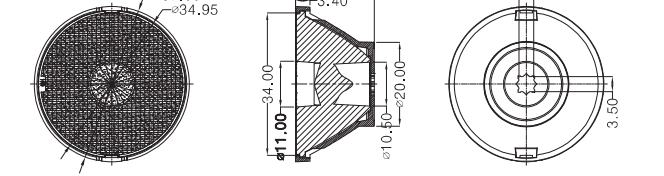
	<p>Item No.: HL-HGX06P Angle: 6° Surface: Mirrored/镜面 Dim.: Ø22.7*H12mm LED Type: 3535 Material: PMMA</p>	
	<p>Item No.: HL-XP08D Angle: 8° Surface: Frosting/雾面 Dim.: Ø21.5*H11.5mm LED Type: 3535 Material: PMMA+PC</p>	
	<p>Item No.: HL-2914-5D Angle: 5° Surface: Mirrored/镜面 Dim.: Ø31.5*H18.25mm LED Type: 3535/XML Material: PMMA+PC</p>	
	<p>Item No.: HL-P3-N Angle: 4° Surface: Mirrored/镜面 Dim.: Ø37*H18.75mm LED Type: 3535/XML Material: PMMA+PC</p>	
	<p>Item No.: HL-P3G Angle: 3° Surface: Mirrored/镜面 Dim.: Ø37.3*H21.8mm LED Type: 3535/XML Material: PMMA+PC</p>	
	<p>Item No.: HL-P3G-P7 Angle: 3° Surface: Mirrored/镜面 Dim.: Ø37.3*H21.8mm LED Type: Osram P7 Material: PMMA+PC</p>	
	<p>Item No.: HL-TX02-4316 Angle: 2° Surface: Mirrored/镜面 Dim.: Ø42.9*H16.5mm LED Type: LUXEON Z/3535 Material: PMMA+PC</p>	
	<p>Item No.: HL-TX03-5025 Angle: 3° Surface: Mirrored/镜面 Dim.: Ø52*H26.8mm LED Type: 3535/XML/XHP-H1 Material: PMMA+PC</p>	

投光灯透镜(30支架透镜系列) Flood light lens (30 diameter series)

Landscape Lighting Lens

	<p>Item No.: HL-2914-5D Angle: 5° Surface: Mirrored/镜面 Dim.: Ø31.5*H18.25mm LED Type: 3535 Material: PMMA+PC</p>	
	<p>Item No.: HL-2914-15D Angle: 15° Surface: Beaded/珠面 Dim.: Ø32.5*H16.15mm LED Type: 3535/XML Material: PMMA+PC</p>	
	<p>Item No.: HL-29P-2 Angle: 15° Surface: Frosting/雾面 Dim.: Ø32.5*H16.15mm LED Type: 3535/XML Material: PMMA+PC</p>	
	<p>Item No.: HL-MTG0138L Angle: 20° Surface: Beaded/珠面 Dim.: Ø32.5*H16.15mm LED Type: 3535/XML Material: PMMA+PC</p>	
	<p>Item No.: HL-MTG0138L2914 Angle: 30° Surface: Beaded/珠面 Dim.: Ø32.5*H16.15mm LED Type: 3535/XML Material: PMMA+PC</p>	
	<p>Item No.: HL-MTG0160L2914 Angle: 60° Surface: Beaded/珠面 Dim.: Ø32.5*H16.15mm LED Type: 3535/XML Material: PMMA+PC</p>	
	<p>Item No.: HL-XM29-2 Dim.: Ø32.5*H16.15mm LED Type: 5050/3535 Material: PC</p>	


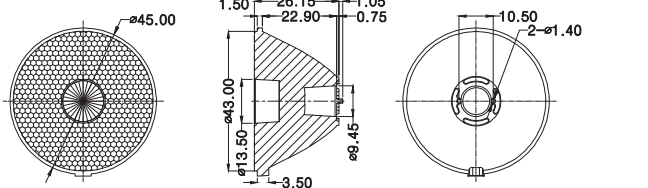

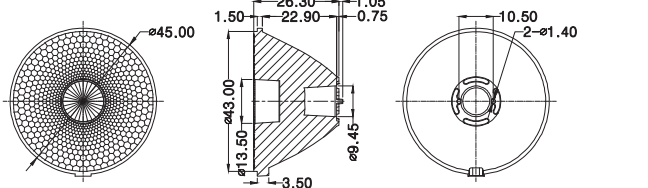

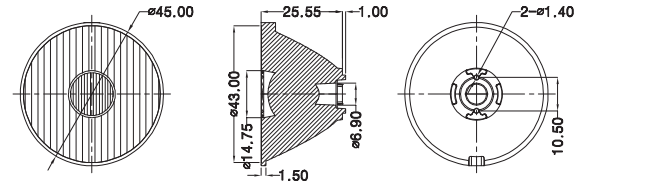

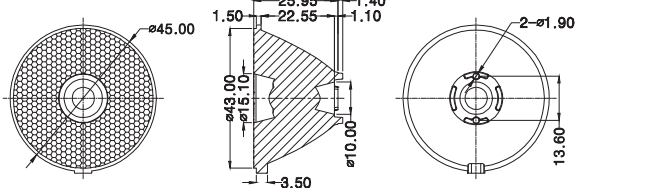

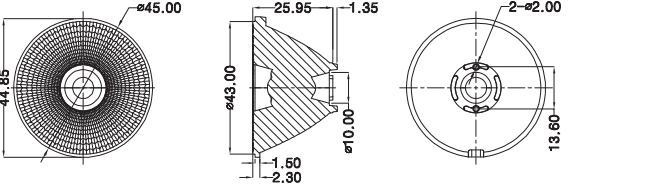

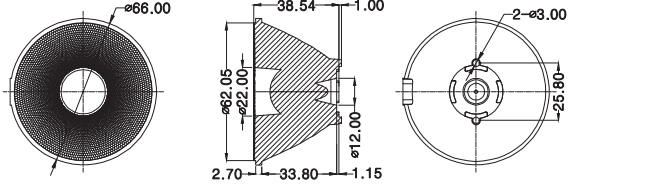

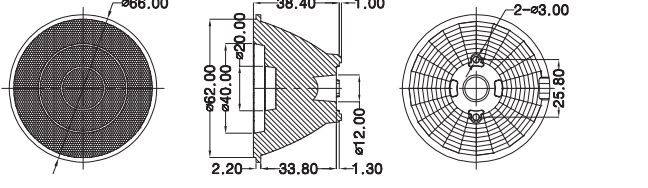

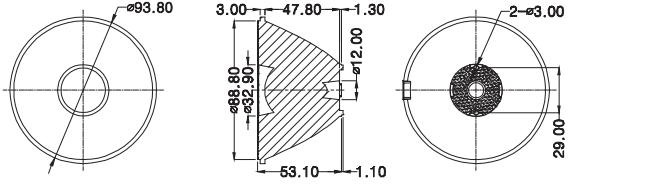
投光灯透镜(P3N系列) Flood light lens (P3N series)

	<p>Item No.: HL-P3-N Angle: 4° Surface: Mirrored/镜面 Dim.: Ø37*H18.75mm LED Type: 3535/XML Material: PMMA+PC</p>	
	<p>Item No.: HL-P3N-8D Angle: 8° Surface: Beaded/珠面 Dim.: Ø37*H18.75mm LED Type: 3535RGBW/XML/P8 Material: PMMA+PC</p>	
	<p>Item No.: HL-P3N-15D Angle: 15° Surface: Beaded/珠面 Dim.: Ø37*H18.85mm LED Type: 3535/XML/P8 Material: PMMA+PC</p>	
	<p>Item No.: HL-P3N-25D Angle: 25° Surface: Beaded/珠面 Dim.: Ø37*H18.95mm LED Type: 3535/XML/P8 Material: PMMA+PC</p>	
	<p>Item No.: HL-P3N-30 Angle: 30° Surface: Beaded/珠面 Dim.: Ø37*H19.05mm LED Type: 3535/XML/P8 Material: PMMA+PC</p>	
	<p>Item No.: HL-P3N-45D Angle: 45° Surface: Beaded/珠面 Dim.: Ø37*H19.2mm LED Type: 3535/XML/P8 Material: PMMA+PC</p>	
	<p>Item No.: HL-P3N-60D Angle: 60° Surface: Beaded/珠面 Dim.: Ø37*H18.85mm LED Type: 3535/XML/P8 Material: PMMA+PC</p>	
	<p>Item No.: HL-P3N-1030 Angle: 10*30° Surface: Beaded/珠面 Dim.: Ø37*H18.95mm LED Type: 3535/XML Material: PMMA+PC</p>	


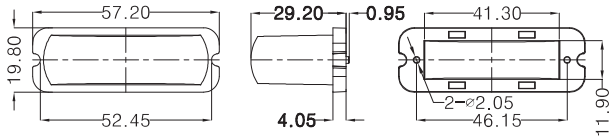














Landscape Lighting Lens

投光灯透镜(高功率混光系列) Flood light lens(High power mixed light series)

Landscape Lighting Lens

	<p>Item No.: HL-XM08D-4526 Angle: 8° Surface: Beaded/珠面 Dim.: Ø45*H26.15mm LED Type: XML Material: PMMA</p>	
	<p>Item No.: HL-XM25D-4526 Angle: 25° Surface: Beaded/珠面 Dim.: Ø45*H26.3mm LED Type: XML Material: PMMA</p>	
	<p>Item No.: HL-XM1045X-4526 Angle: 10*45° Surface: Striped/条纹 Dim.: Ø45*H25.55mm LED Type: XML/OSTAR-15W Material: PMMA</p>	
	<p>Item No.: HL-OS08L-4526 Angle: 8° Surface: Beaded/珠面 Dim.: Ø45*H25.95mm LED Type: OSTAR 15W Material: PMMA</p>	
	<p>Item No.: HL-OS15D-4526 Angle: 15° Surface: Beaded/珠面 Dim.: Ø45*H25.95mm LED Type: 5060RGBW Material: PMMA</p>	
	<p>Item No.: HL-OS05D-6639 Angle: 5° Surface: Beaded/珠面 Dim.: Ø66*H38.54mm LED Type: OSTAR 15W-40W Material: PMMA</p>	
	<p>Item No.: HL-TX20D-6538 Angle: 5° Surface: Beaded/珠面 Dim.: Ø66*H38.4mm LED Type: OSTAR 60W Material: PMMA</p>	
	<p>Item No.: HL-9451L-5D-3 Angle: 5° Surface: Beaded/珠面 Dim.: Ø93.8*H53.1mm LED Type: OSTAR 60W Material: PMMA</p>	

窗台灯、护栏灯透镜 Windowsill /Guardrail lens

	<p>Item No.: HL-CT03120D Angle: 3*120° Dim.: L57.2*W19.8*H29.2mm LED Type: 3535 Material: PMMA</p>	
	 <p>Item No.: HL-CT04120D Angle: 120° Dim.: L42.05*W26*H15mm LED Type: XPE/3535 Material: PC</p>	
	<p>Item No.: HL-CTD-K Angle: 12*120° Dim.: L29.1*W22.4*H12.8mm LED Type: 3535 Material: PC</p>	
	<p>Item No.: HL-HLD-3 Angle: 10*130° Dim.: L23*W17*H10.45mm LED Type: 3535/3030 Material: PC</p>	
	<p>Item No.: HL-GR10100 Angle: 10*100° Dim.: L30.4*W24.8*H15mm LED Type: 3535 Material: PC</p>	
	<p>XP-E </p> <p>Item No.: HL-HLD-2 Angle: 30*100° Dim.: L23.54*W16.22*H8.57mm Material: PMMA</p>	
	<p>Item No.: HL-KT15165 Angle: 15*160° Dim.: L18.5*W12*H6mm LED Type: 3535/3030 Material: PC</p>	



LED照明•机器人视觉•激光
非球面树脂镜片•个性化定制
光学方案•模具•成型

不求在一次交易中获利，寻求建立长期合作伙伴关系。

We don't want to make one profit in one business, the main idea which is seeking to establish a long-term partner relationship.

东莞市衡正光学科技有限公司

DONGGUAN HENGZHENG OPTOELECTRONICS CO.,LTD.

地址：东莞市虎门镇大宁大板地工业区南江路107号

电话：0769-81615456

传真：0769-85226246

邮箱：Mark@henglilens.com

网址：www.henglilens.com

Add: #107 Nanjiang Road, Dabandi Industrial Park, Daning Humen
Dongguan, Guangdong, 523930 China

Tel: +86 76985024056

Fax: +86 769 85226246

E-mail: Mark@henglilens.com

Chinese Web: www.henglilens.com

English Web: en.henglilens.com

Korean Web: kr.henglilens.com

Russian Web: ru.henglilens.com